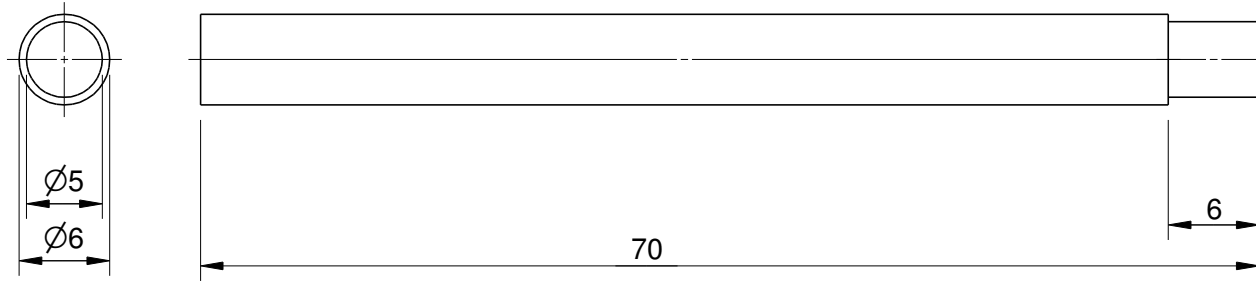
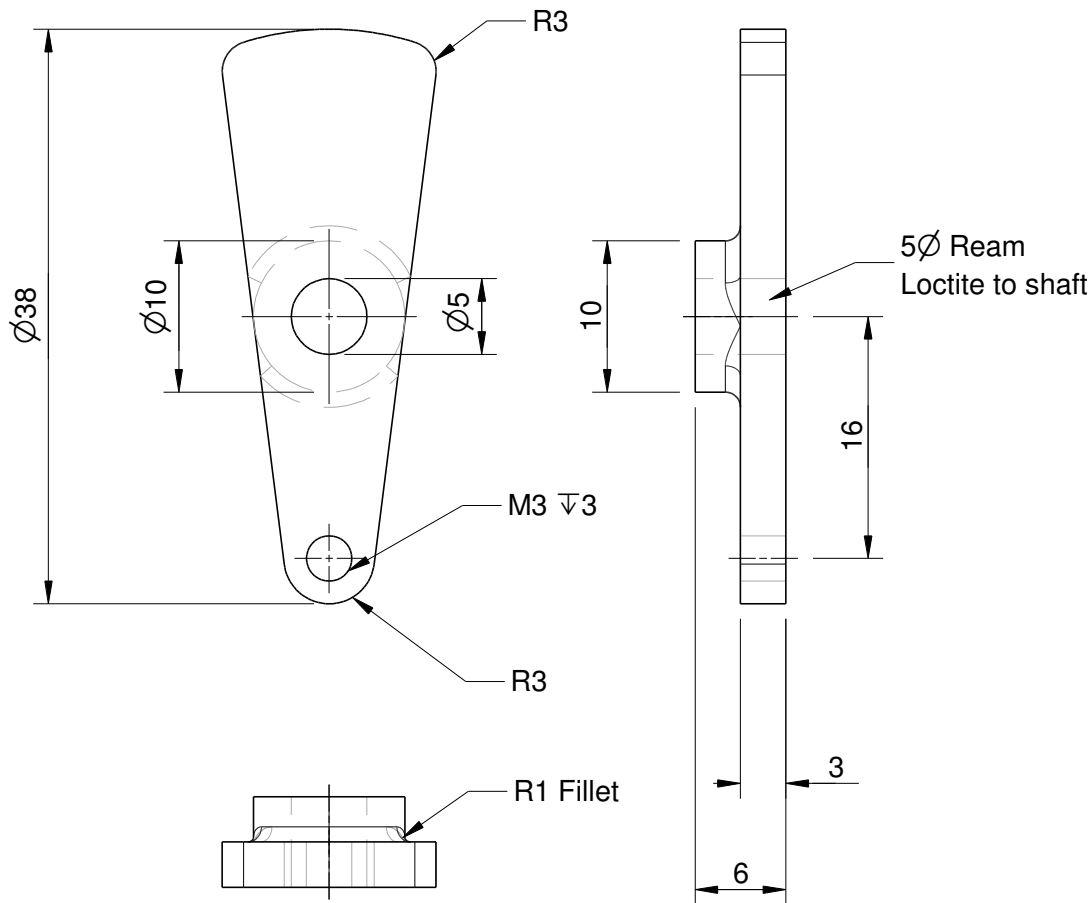
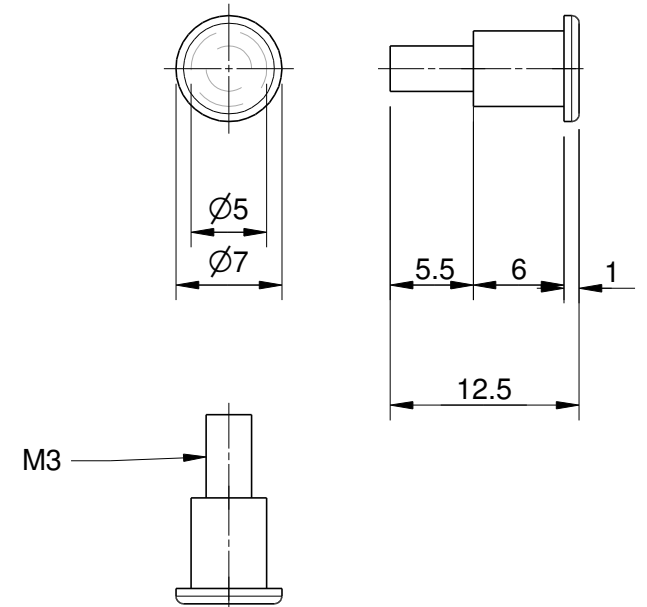


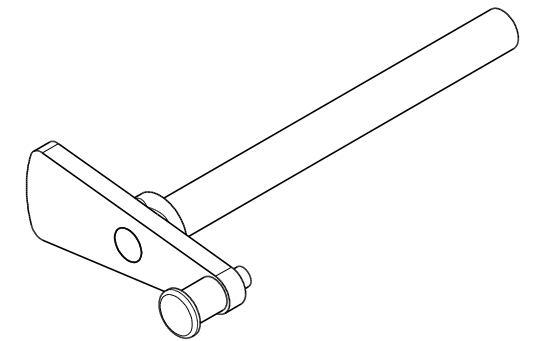
Crank Shaft - PGMS or Silver Steel



Crank Pin - Steel



Crank Web - Steel



<h1>CHUKY</h1>	
Crankshaft Parts	Drawing No 6
Material : Steel	Scale 2:1