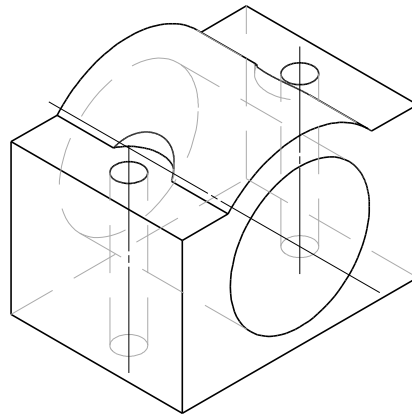
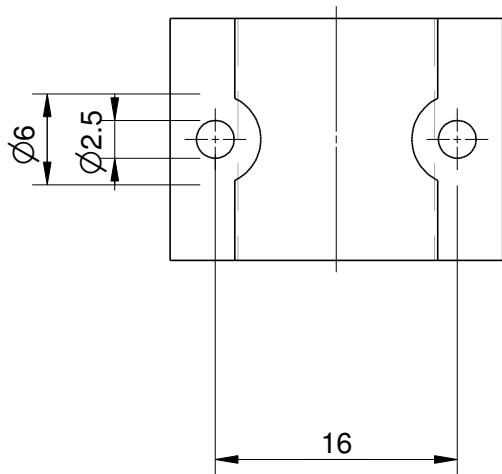


* Bore to give press fit for chosen bearings



CHUKY	
Bearing Block & base Boss	Drawing No 8
Material : Aluminium	Scale 2:1