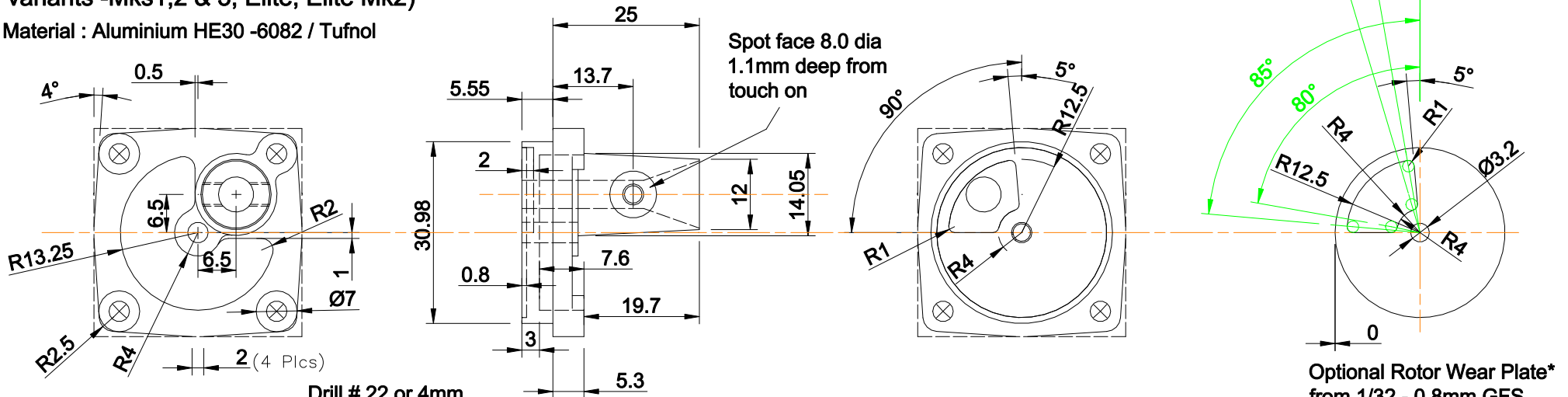


Eta 15d-x2 (5cc) Backplate and Rotor Disc

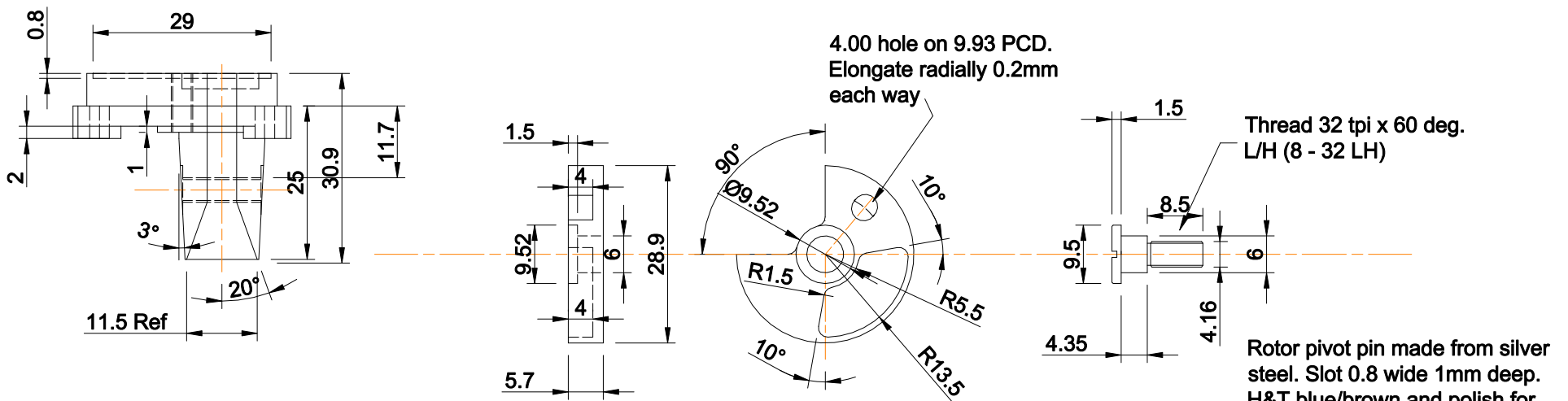
(All variants -Mks1,2 & 3, Elite, Elite Mk2)

Material : Aluminium HE30 -6082 / Tufnol



Drill # 22 or 4mm
Tap 2BA from both sides

Optional Rotor Wear Plate*
from 1/32 - 0.8mm GFS
Lap flat. Fit to backplate
recess with rotor screw



Note if fitting Wear Plate *
make rotor .8mm thinner
and rotor screw to suit

Rotor made from Tufnol

Rotor pivot pin made from silver
steel. Slot 0.8 wide 1mm deep.
H&T blue/brown and polish for
good running fit with rotor