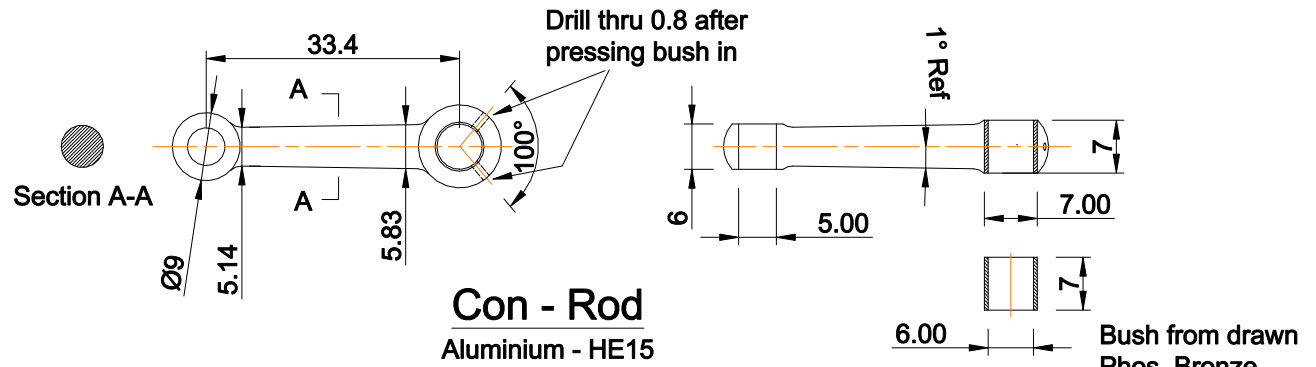


Eta 15d-x2 (5cc) Mk 3

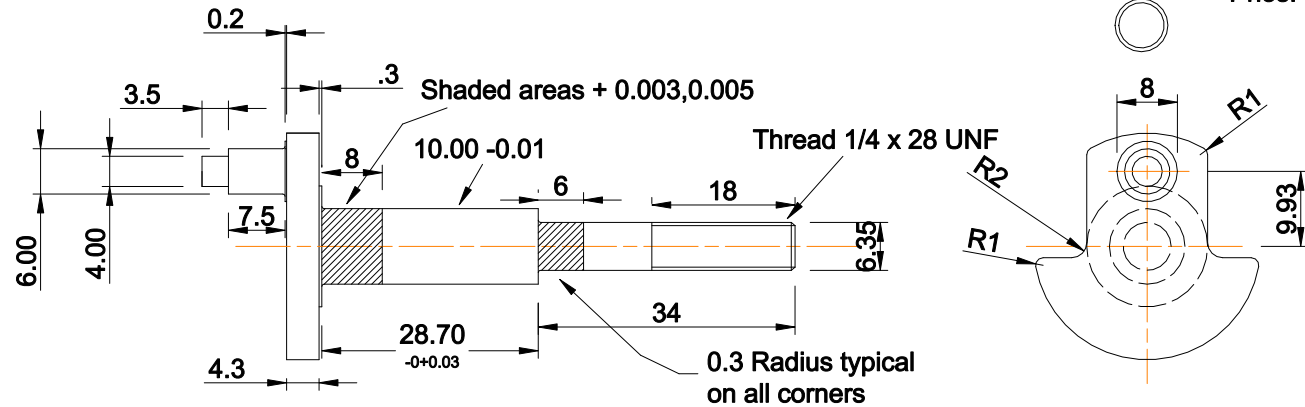
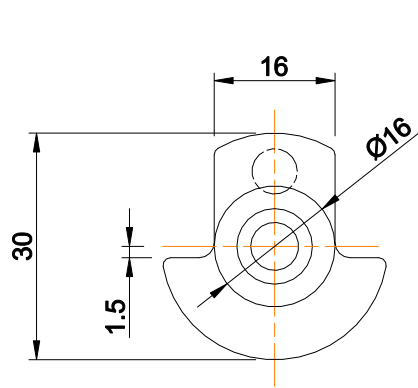
Crankshaft, Con-Rod
and Prop Driver Parts

Material : As Detailed



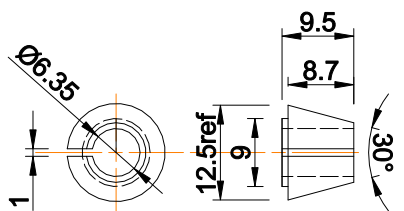
Con - Rod

Aluminium - HE15



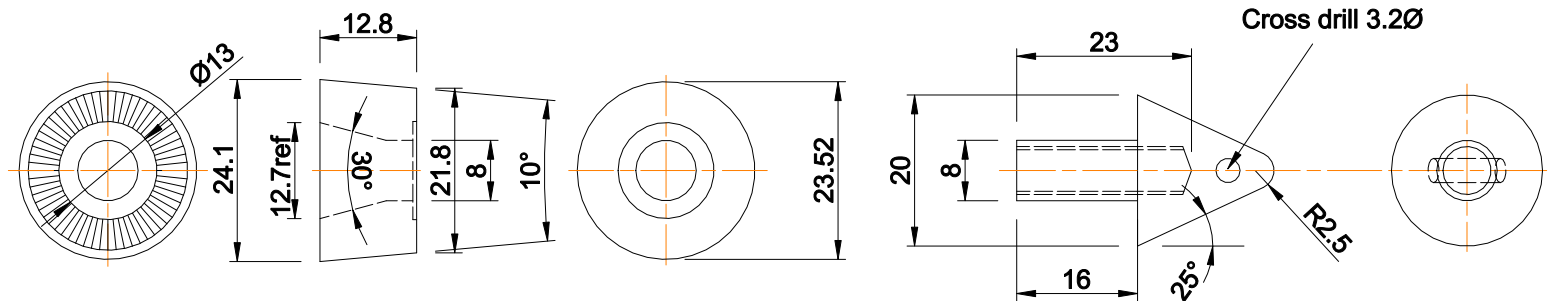
Crankshaft

Steel - En24T (4340)



Prop driver Collet

Brass



Prop driver and Prop Nut

Aluminium He30