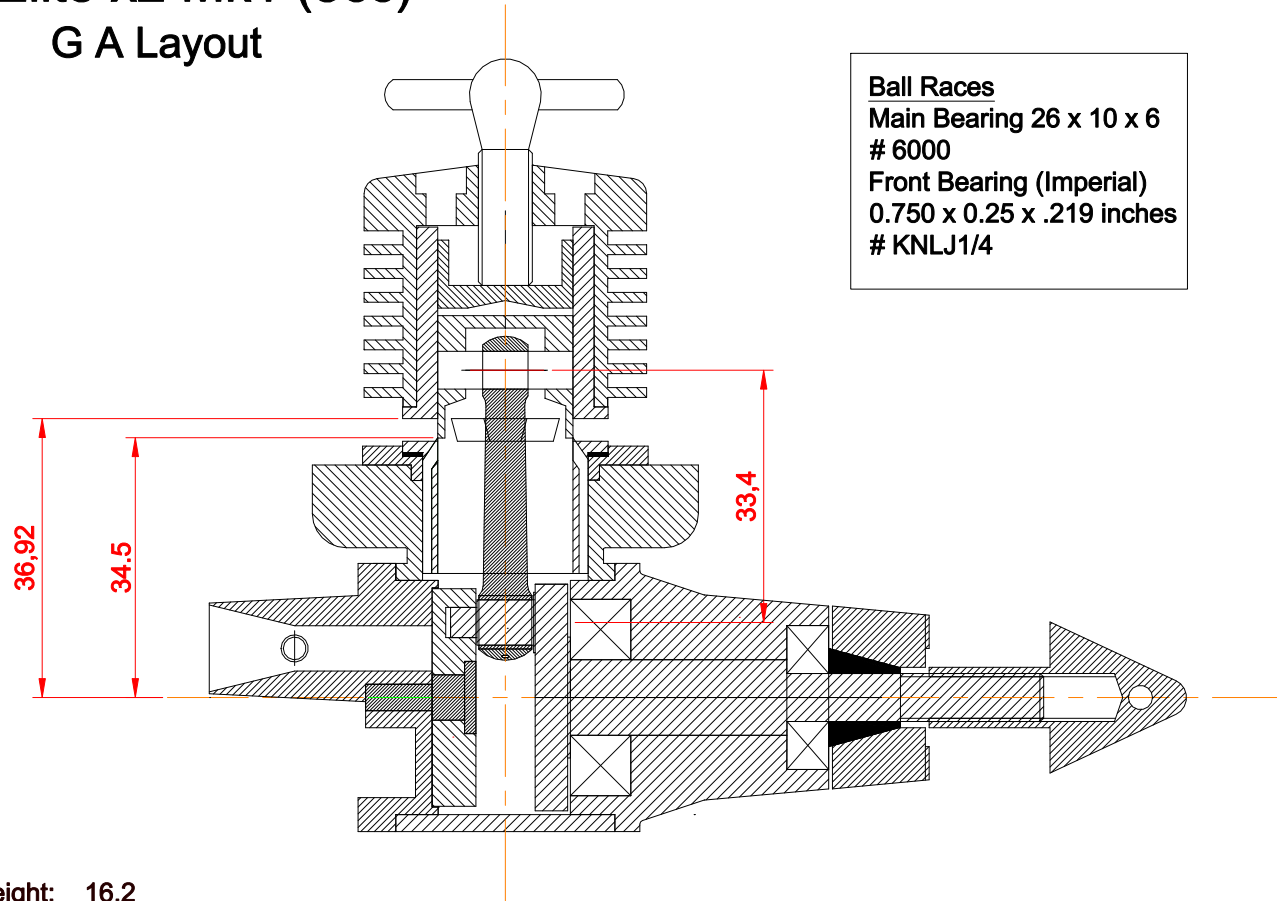


Eta Elite x2 Mk1 (5cc) G A Layout



Ball Races
 Main Bearing 26 x 10 x 6
 # 6000
 Front Bearing (Imperial)
 0.750 x 0.25 x .219 inches
 # KNLJ1/4

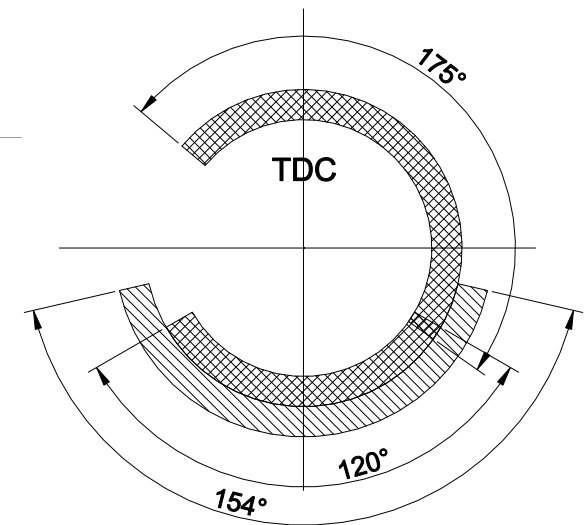
Bore: 17.90mm (0.705")
 Stroke: 19.86mm (0.782")
 Capacity: 4.998cc (0.305cuin)

Exhaust opens: 103.0° ATDC
 Exhaust closes: 77.0° ABDC
 Exhaust duration: 154.0°

Transfer opens: 120.0° ATDC
 Transfer closes: 60.0° ABDC
 Transfer duration: 120.0°

Inlet opens: 55.0° ABDC
 Inlet closes: 50.0° ATDC
 Inlet duration: 175.0°

Blowdown period: 17.0°



Piston Height: 16.2
 Conrod Length: 33.4
 Wrist Pin Offset: 7.2
 Top of exhaust port from crankshaft axis: 36.92
 Top of port transfer from crankshaft axis: 34.5
 Inlet open radial relative to TDC: 4°
 Inlet close radial relative to TDC: 90°
 Rotor Leading Edge radial relative to crankpin: 130°
 Rotor Trailing Edge radial relative to crankpin: 40°
 Exhaust port height: 3.0

Note: Transfer ports are drawn 45° out of phase