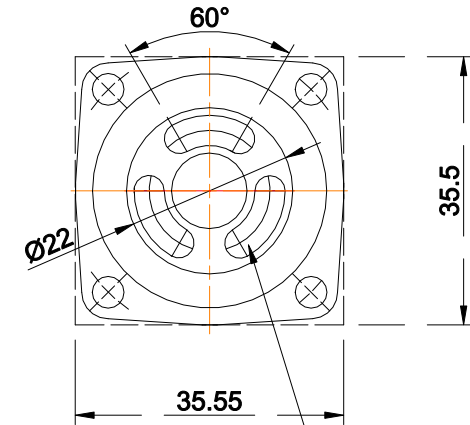
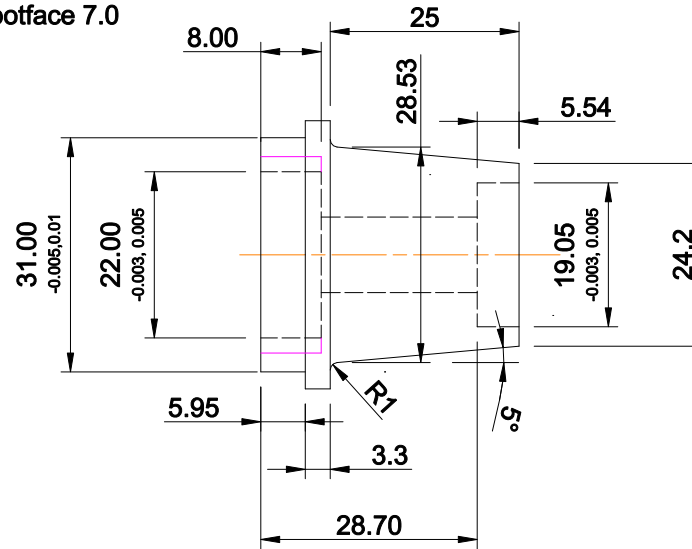
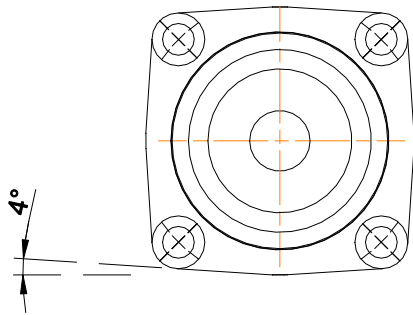


Eta 15d x2 Mk3 (5cc)

Front housing

Material Aluminium HE 30 - 6082

Drill 3.5 Spotface 7.0
4 places



Note, Not to be exceeded
with rear bearing fitted.

Optional :
Three radial slots cut with 4mm
cutter 12mm deep from face on
14.5 PCD
Top slot in line with centre line

Note : 17.0 PCD if 26mm bearing
is used

Note : Magenta line denotes
housing for 26 x 10 x 8 bearing
Increase 1mm rad to 2mm

