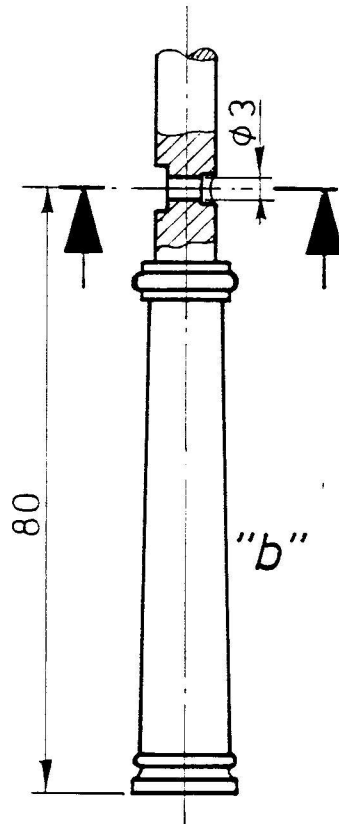
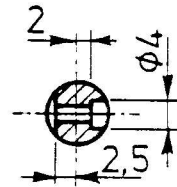


Section



1.2