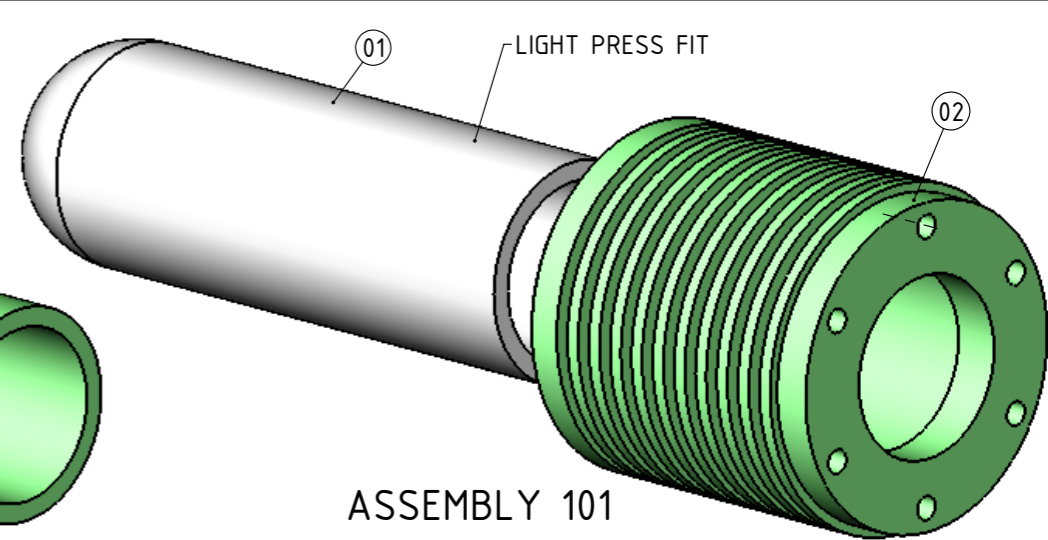
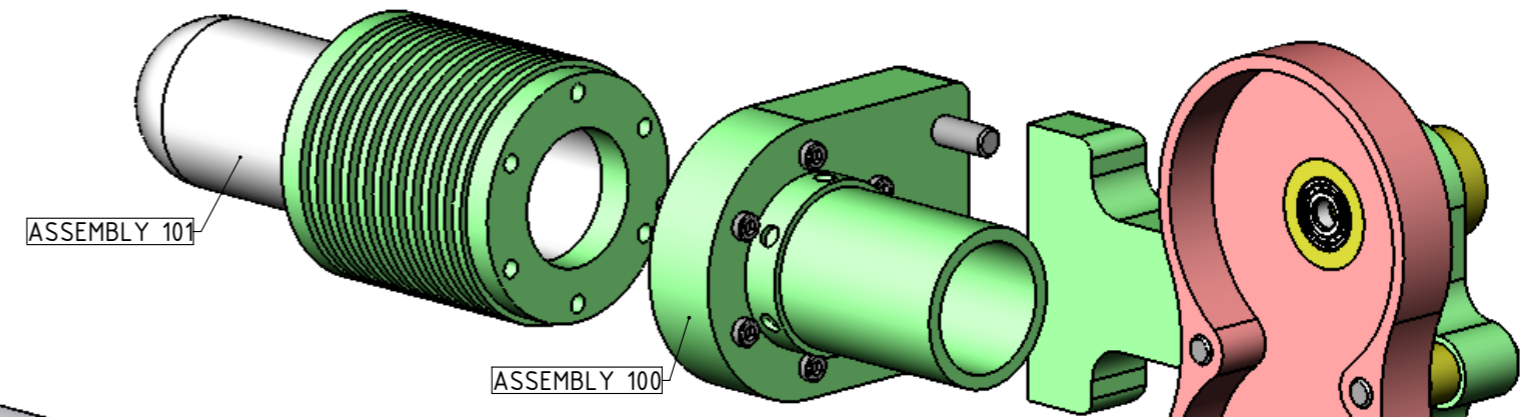


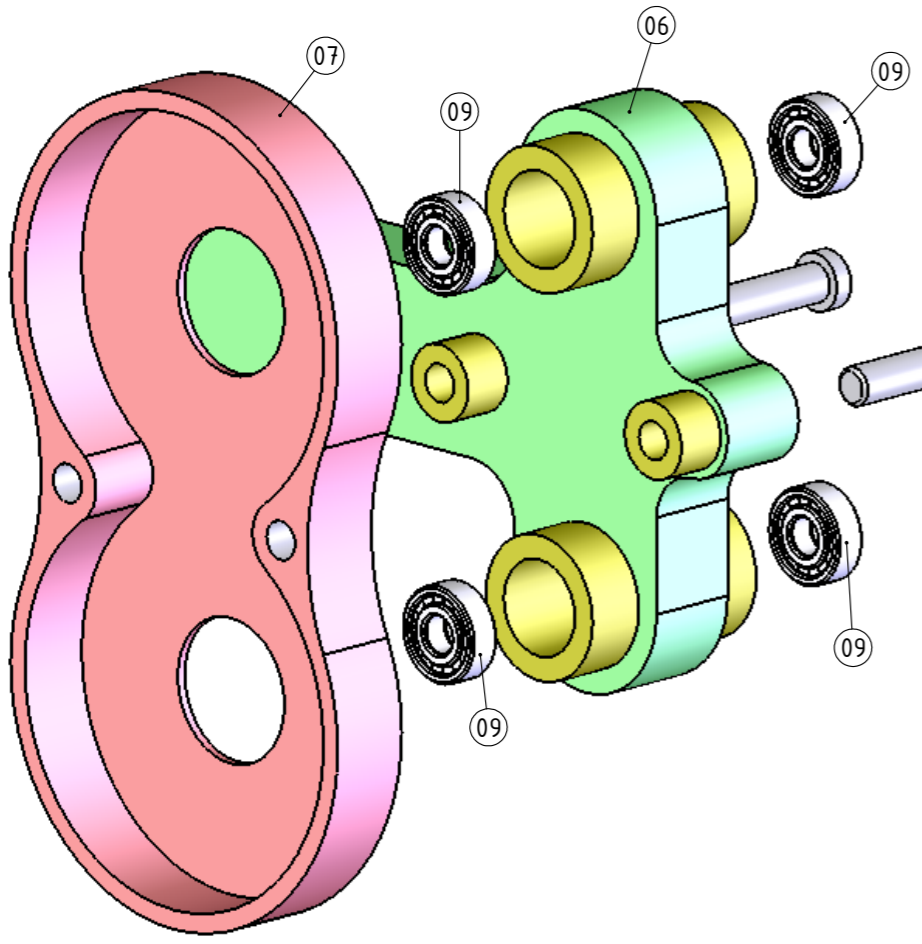
ASSEMBLY 100



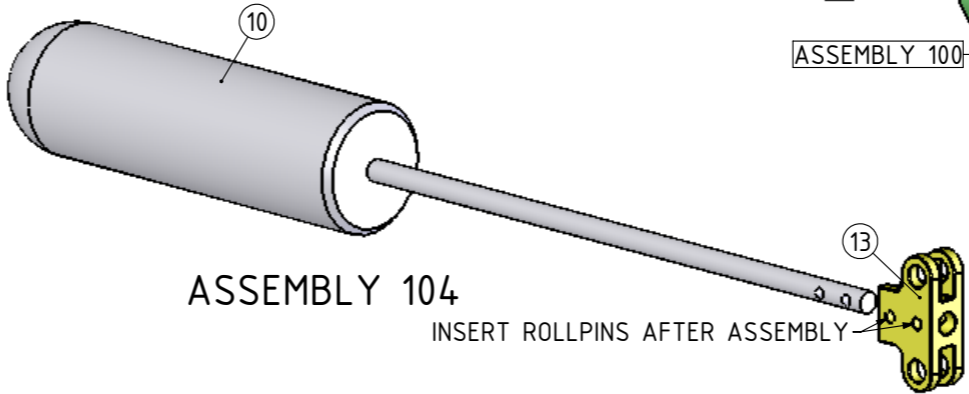
ASSEMBLY 101



ASSEMBLY 102

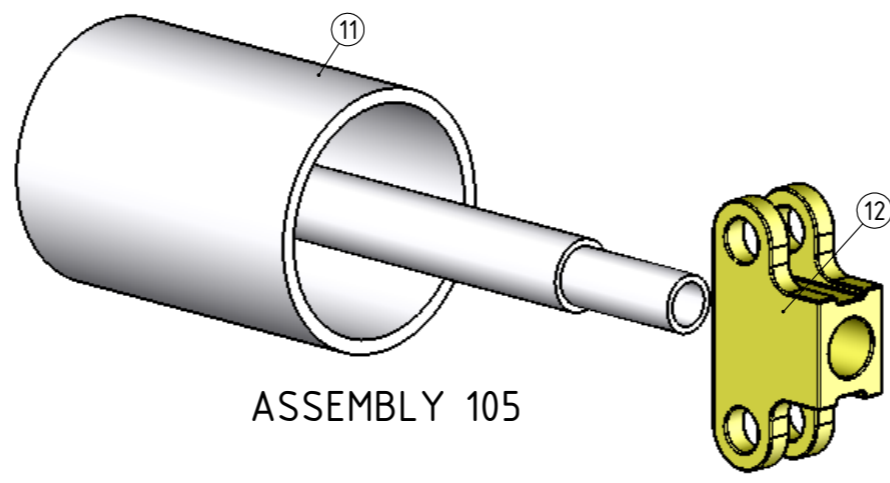


ASSEMBLY 102

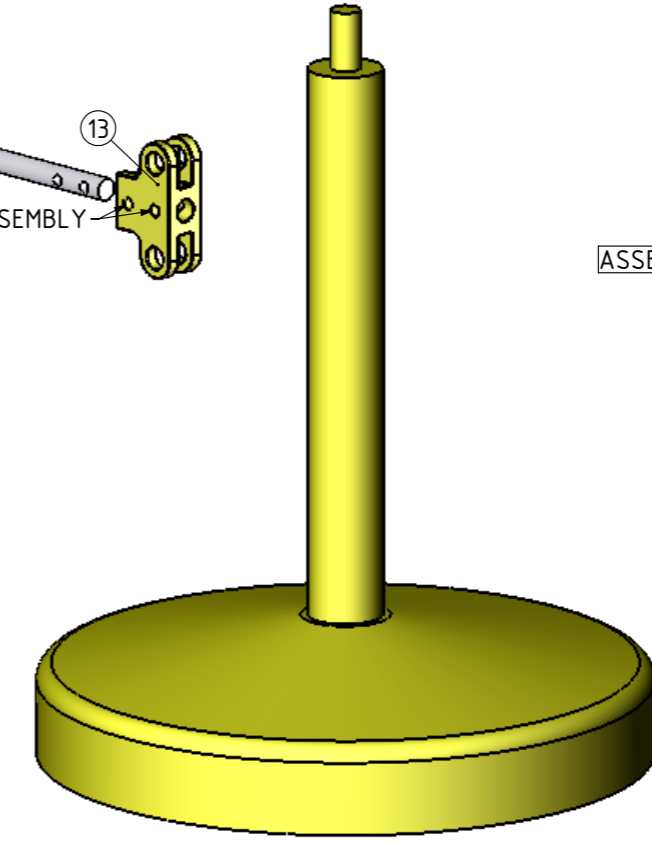


ASSEMBLY 104

INSERT ROLLPINS AFTER ASSEMBLY



ASSEMBLY 105



ASSEMBLY 103

NOTE: THIS ENGINE WAS DESIGNED AND BUILT BY Mr H. LEIJTEN (BERKEL ENSCHOT) REFER NVM DE MODELBOUWER No10 2002 PAGE 576

TITLE
HOT AIR ENGINE (STIRLING ENGINE) WITH A ROMBISCH CRANK ARRANGEMENT
A3 PARTS AND ISOMETRIC EXPLODED VIEWS

REV	DESCRIPTION	DATE
A	ISSUED FOR CONSTRUCTION	DEC 2010

JDW DRAUGHTING SERVICES
12 BRIGHTWELL STREET
PAKAPURA NEW ZEALAND
TEL/FAX 0064-09-2988815
E-MAIL:dewaal@xtra.co.nz

DRAWN BY
J.A.M. DE WAAL
DATE
OCTOBER 2006

PROJECT No:	01-04-06-01-00
DRAWING NUMBER	HAE-03
SHEET	3
SCALE	N.T.S @A3 or AS SHOWN
SHT OF SHT	3 OF 3
REV	A