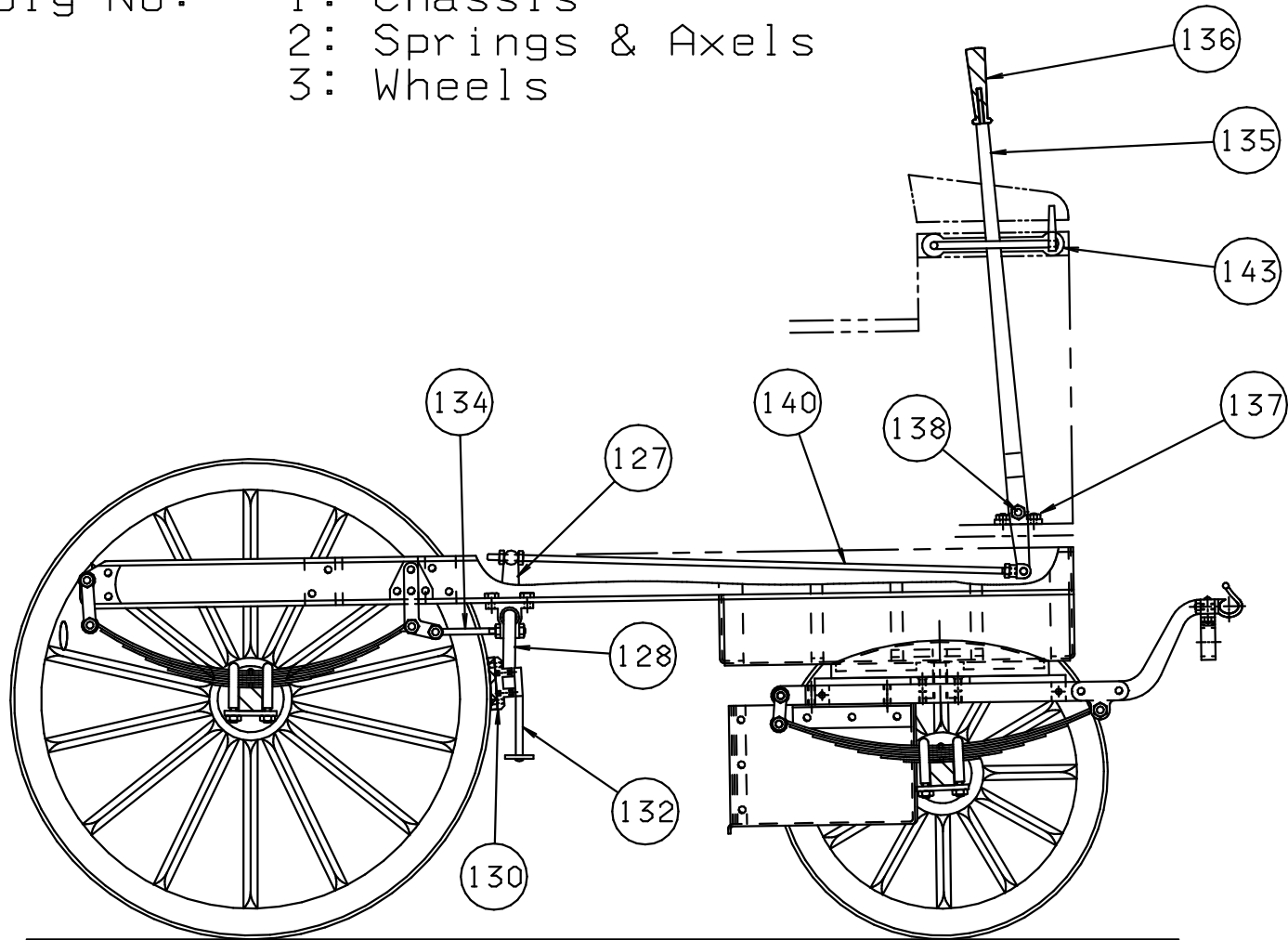


Assembly No:    1: Chassis  
                      2: Springs & Axels  
                      3: Wheels



Wheels from the right hand side not shown.

© Guenter Kallies 22523 Hamburg Goldregenweg 1c	
Titel:	Shand & Mason Steam Fire Engine
Autentik:	Chassis
Zeichn.Nr.:	002 - 01-A
	IBM/ALTEUM MICRO CADDM
	CAD File Name Fahrgest 01
	Masstab: 1 : 2