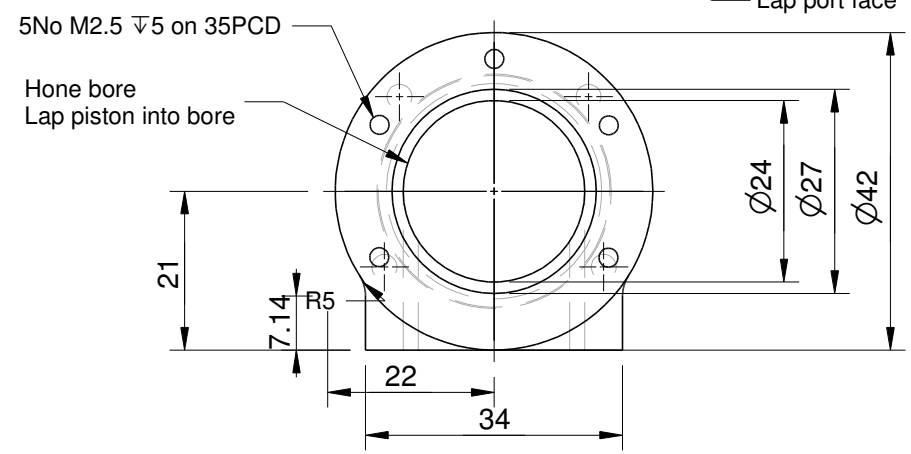


Round external corners of fins to approx 0.4R  
Omitte dfor clarity



<h1>CHUKY</h1>	
Cylinder	Drawing No 3
Material : Cast Iron	Scale 1:1