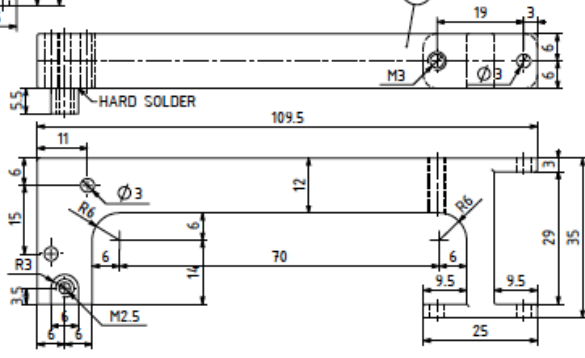
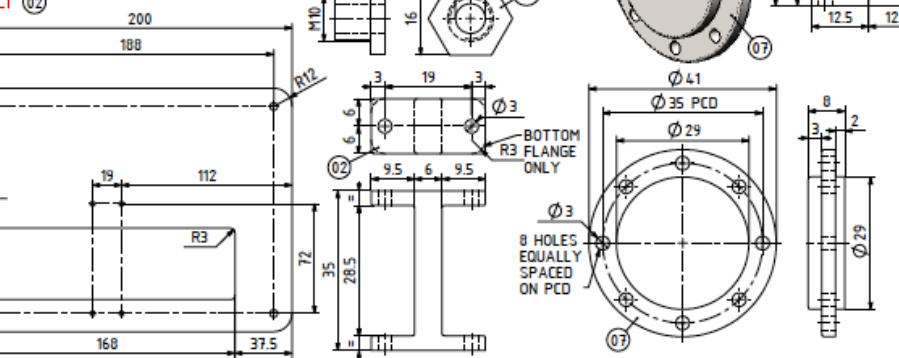
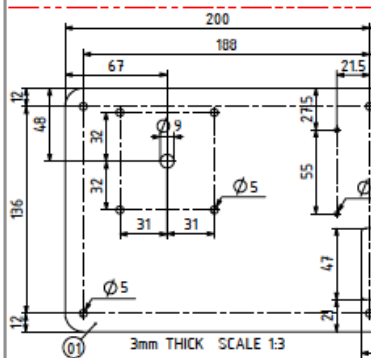
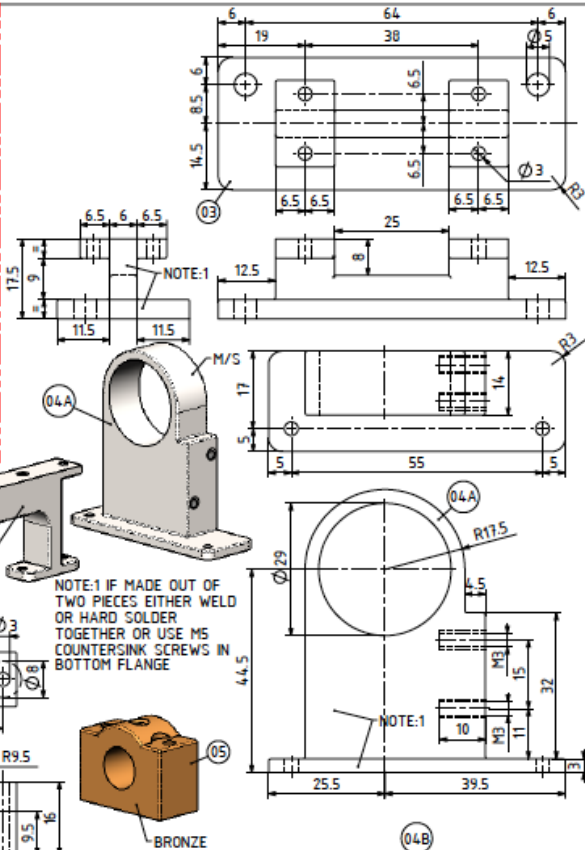
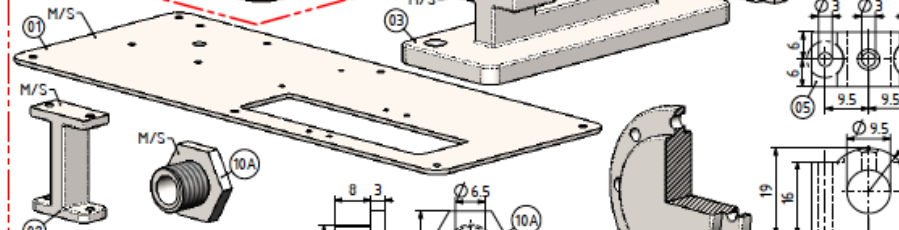
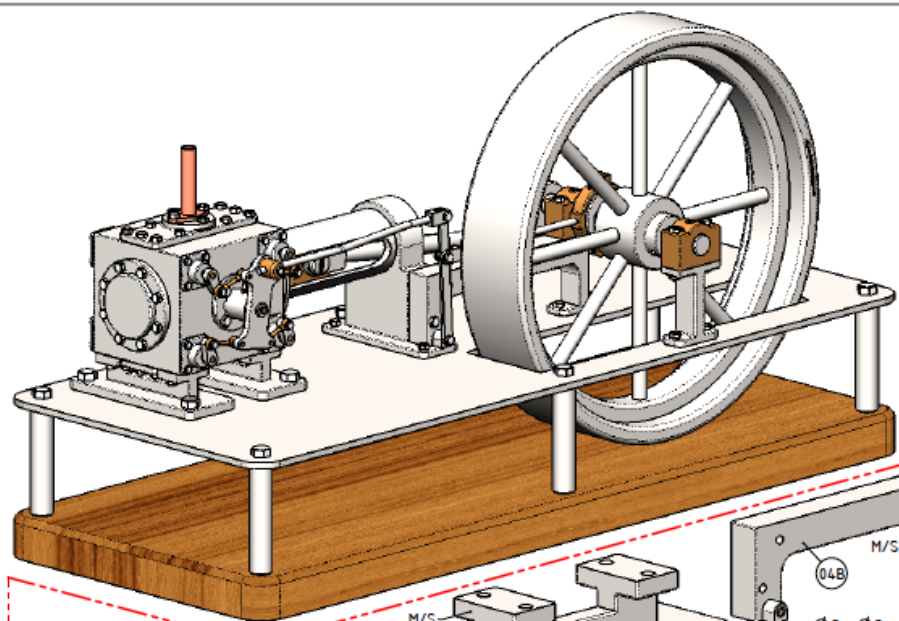


QTY.	PART NUMBER
1	CORLISS-01-BASE PLATE
1	CORLISS-02-OUTRIGGER BEARING PEDESTAL
2	CORLISS-03-CYLINDER FOOT
1	CORLISS-04A-GUIDE SUPPORT PART-1
1	CORLISS-04B-GUIDE SUPPORT PART-2
2	CORLISS-05-CRANKSHAFT BEARING
1	CORLISS-06-CYLINDER FRONT COVER
1	CORLISS-07-CYLINDER REAR COVER
2	CORLISS-08-VALVE CHEST COVER PLATE
1	CORLISS-09A-GLAND NUT
1	CORLISS-09B-GLAND NUT SEAL
1	CORLISS-10-ROCKER ARM GUIDE
4	CORLISS-11-VALVE BONNET-1
4	CORLISS-12-VALVE BONNET-2
4	CORLISS-13-VALVE BONNET SEAL
8	CORLISS-14-FLYWHEEL HUB
8	CORLISS-15-FLYWHEEL SPOKE
1	CORLISS-16-FLYWHEEL INNER RING
1	CORLISS-17-FLYWHEEL OUTER RIM
1	CORLISS-18-CRANKSHAFT
1	CORLISS-19-CRANKPIN
1	CORLISS-20-CON ROD
1	CORLISS-21-CON ROD BIG END
1	CORLISS-22-CON ROD CROSSHEAD
1	CORLISS-23-CRANK PIN
1	CORLISS-24-PISTON ROD
1	CORLISS-25-CROSSHEAD
1	CORLISS-26-PISTON
1	CORLISS-27-PISTON RING
1	CORLISS-28-VALVE DISK HUB
1	CORLISS-29-VALVE DISK
1	CORLISS-30-VALVE DISK SPINDLE
4	CORLISS-31-DISK ARM
4	CORLISS-32A-VALVE
4	CORLISS-32B-VALVE SPINDLE
4	CORLISS-33-VALVE LEVER
1	CORLISS-34-ECCENTRIC TO DISK ROD
1	CORLISS-35-ECCENTRIC SWIVEL SCREW
6	CORLISS-36-BASE PILLAR
2	CORLISS-37-ECCENTRIC SHEAVE
2	CORLISS-38-WOODEN BASE STAND
2	CORLISS-39-OUTLET STEAM PIPE
2	CORLISS-40-M5 NUT
2	CORLISS-41-M5x5
2	CORLISS-42-M5x6x5
2	CORLISS-43-M2x4
32	CORLISS-44-M2x9
1	CORLISS-45-M2x8x3
1	CORLISS-46-M3 NUT
1	CORLISS-47-M3x10
1	CORLISS-48-M3x12
1	CORLISS-49-M3x12
1	CORLISS-50-M3x12
1	CORLISS-51-M3x8 GRUB SCREW
1	CORLISS-52-M5 NUT
6	CORLISS-53-M5x7



THE ORIGINAL DRAWING WERE TAKEN FROM THE "MODEL ENGINE MAKER" WEB SITE		M/S=MILD STEEL S/S=STAINLESS STEEL	
TITLE		PROJECT No.	
SIMPLIFIED CORLISS STEAM ENGINE		JDW DRAUGHTING SERVICES	
		J.A.M. DE WAAL, 12 BRIGHTWELL STREET PAKAPURA 2110, NEW ZEALAND. PHONE: 0064-09-2300015. MOB: 0211791000. E-MAIL: dewaal@xtra.co.nz	
DRAWING CONTENTS		SHEET:02 OF 05	
ISOMETRIC VIEW, BILL OF MATERIALS, PARTS & ASSEMBLIES		MODEL SCALE: 1:1	
		DWG SCALE: 1:1 @A3 OR AS SHOWN	
		DRAWN BY: J.A.M. DE WAAL PAKAPURA NZ	
		A3 No: CORLISS-02	