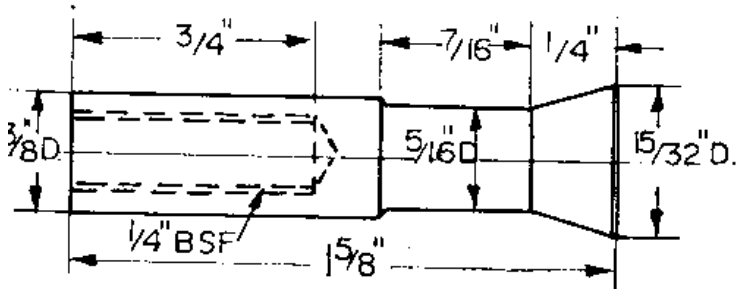
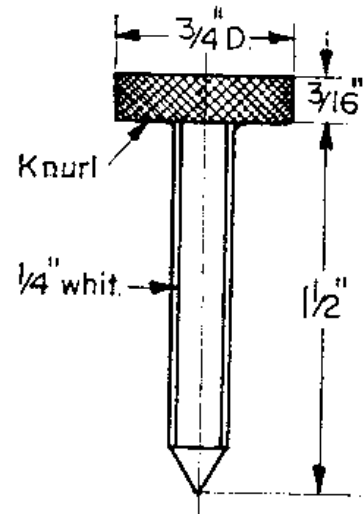


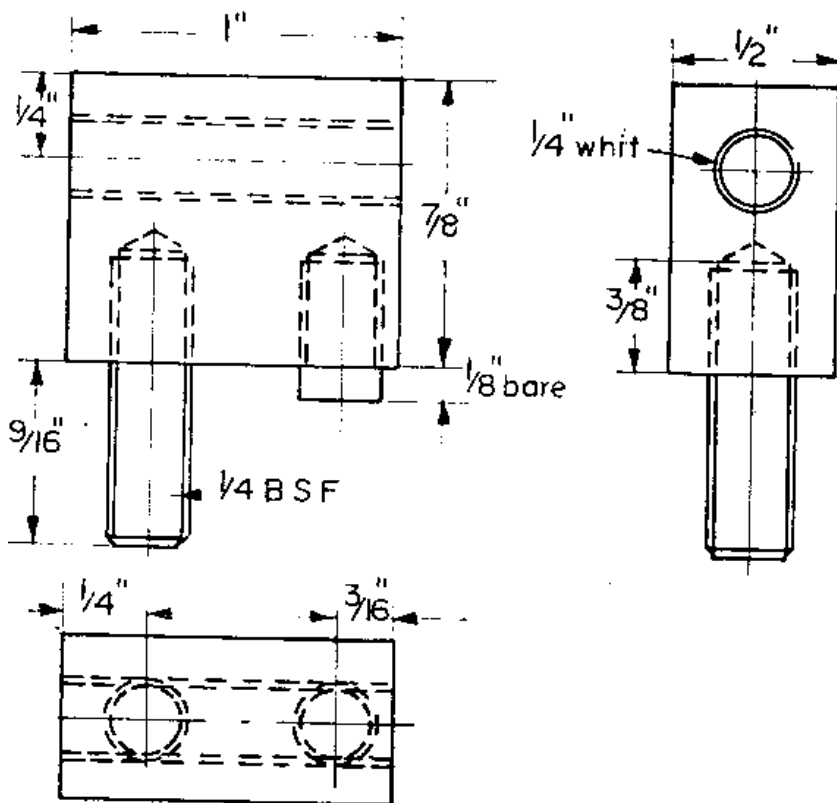
Left: The dividing attachment in use on the ML7 lathe.



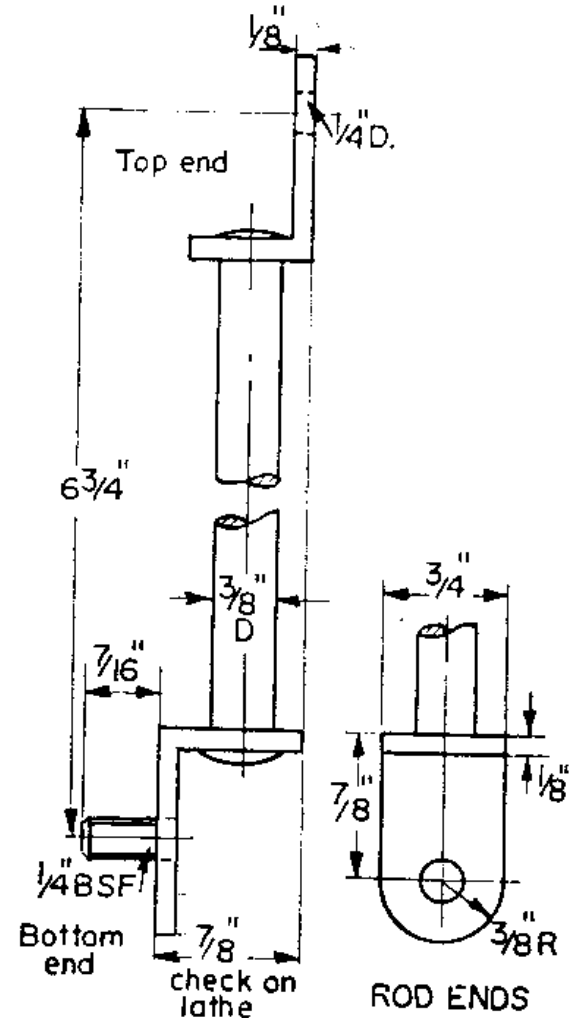
DRAWBOLT



DETENT SCREW



DETENT BLOCK



ANCHOR STAY ROD

ROD ENDS