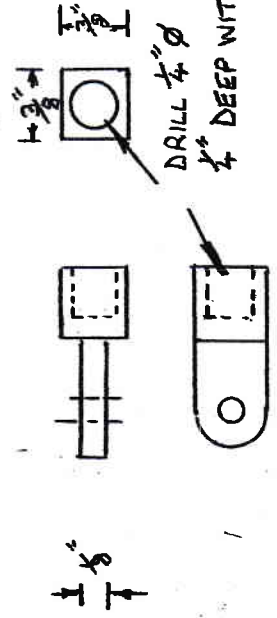
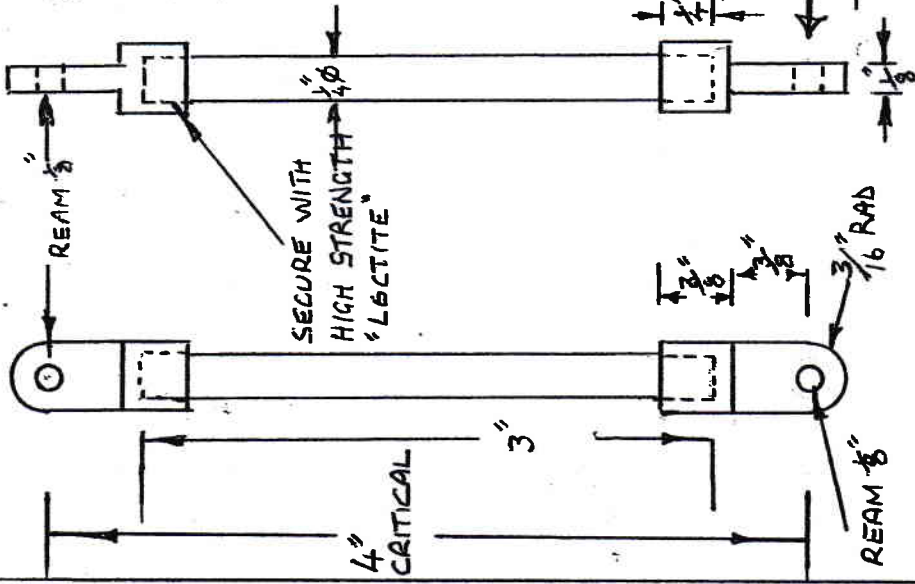
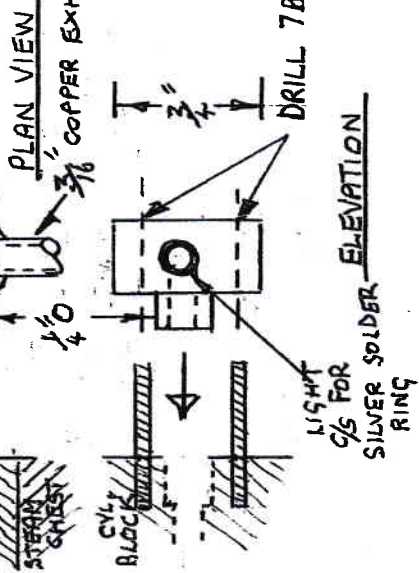
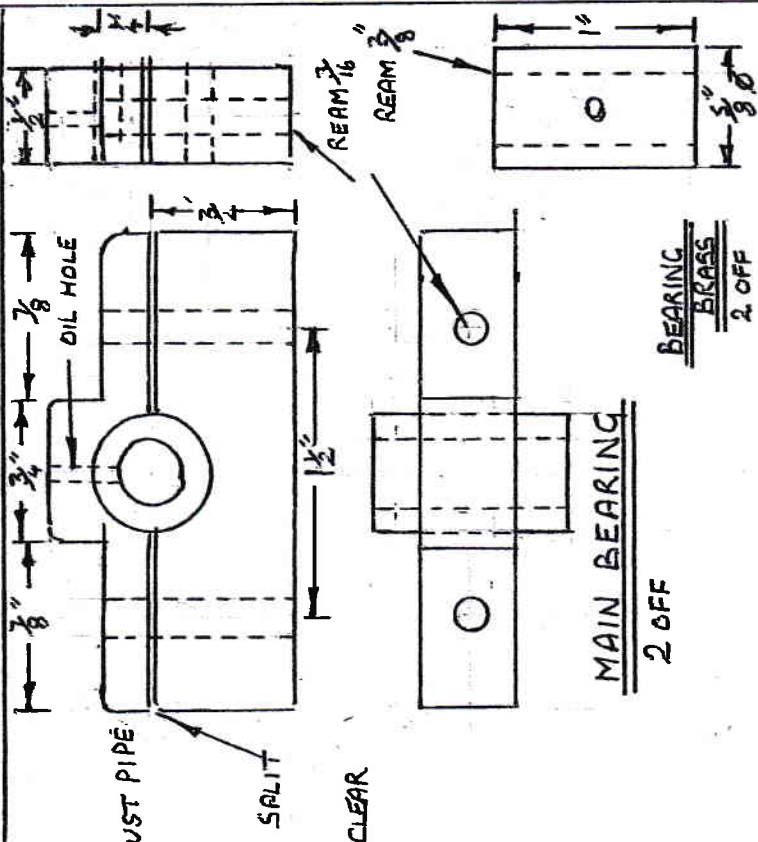


PRIMARY CONNECTING RODS  
4 OFF (FABRICATED)

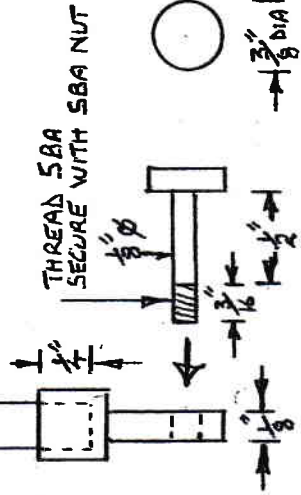


CON. ROD ENDS - 8 OFF MACHINE FROM  $3/8 \times 3/8$  STEEL OR BRASS

DOUBLE SIDE BEAM ENGINE  
DNG N°9

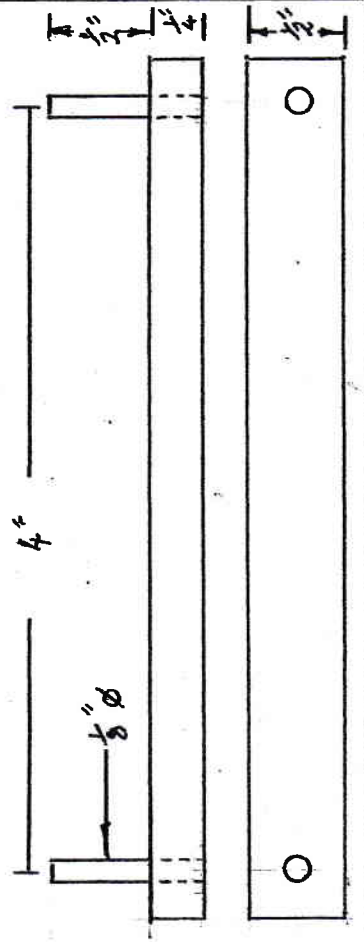


STEAM EXHAUST GLAND  
2 OFF BRASS



BOTTOM END PIN  
4 OFF

SUGGESTED STEEL JIG TO ASSIST WITH THE FABRICATION OF THE FOUR PRIMARY CONNECTING RODS



MAIN BEARING  
2 OFF

BEARING BRASS  
2 OFF