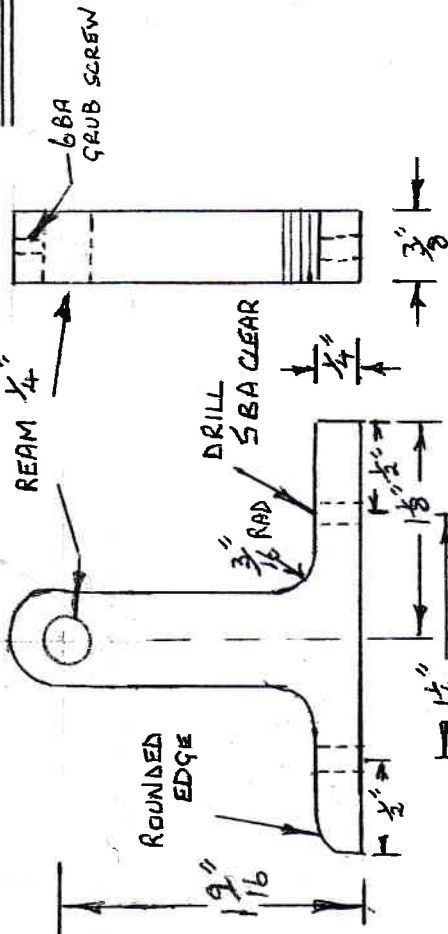


DOUBLE SIDE BEAM ENGINE
DWG. N° 11

BEAM SHAFT 10FF STEEL



BEAM SHAFT SUPPORTS
4 OFF STEEL

SECURING GRUB
SCREEN IN ONE
SHAFT SUPPORT ONLY

