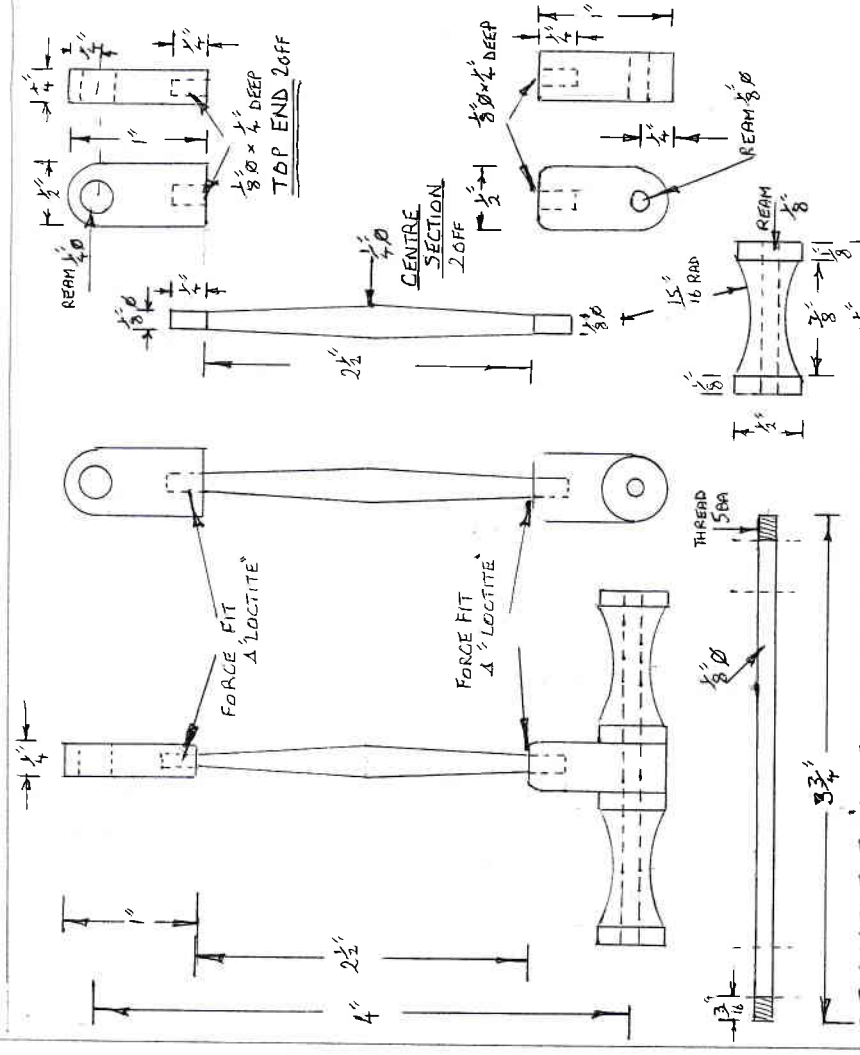
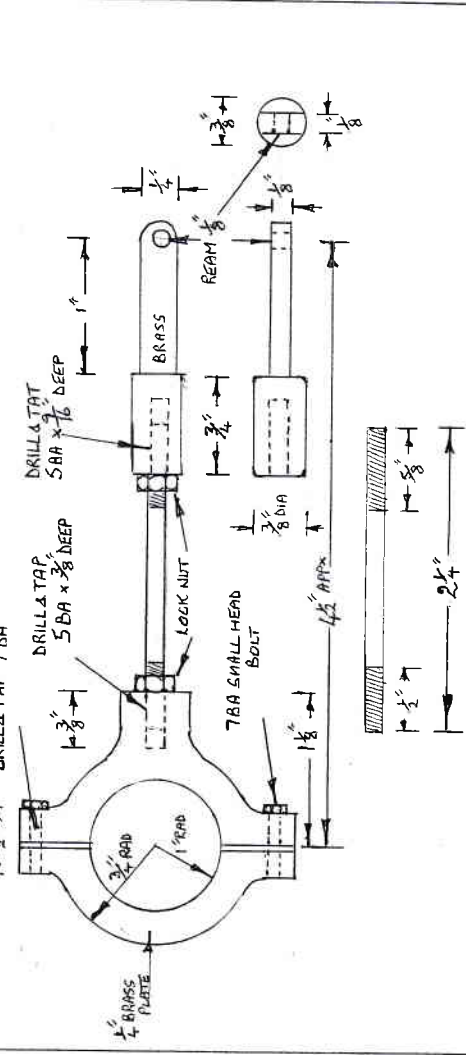


TURNED RODS  
 4 OFF  
 TURNED FROM 1/8" DIA STEEL ROD WITH MILLED FLAT ENDS

JUST A FEW EXAMPLES OF SOME OF THE MANY CHANGES TO THE ORIGINAL DESIGN THAT COULD BE MADE WITH LITTLE OR NO CHANGE TO ANY OTHER COMPONENTS



ALTERNATIVE FABRICATED SECONDARY CON ROD (A)



ALTERNATIVE ECCENTRIC STRAPS

DOUBLE SIDE BEAM ENGINE