

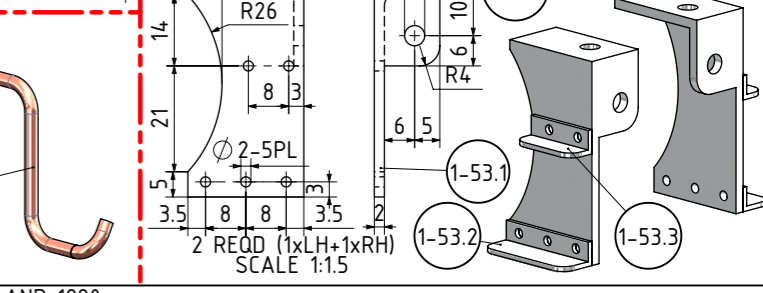
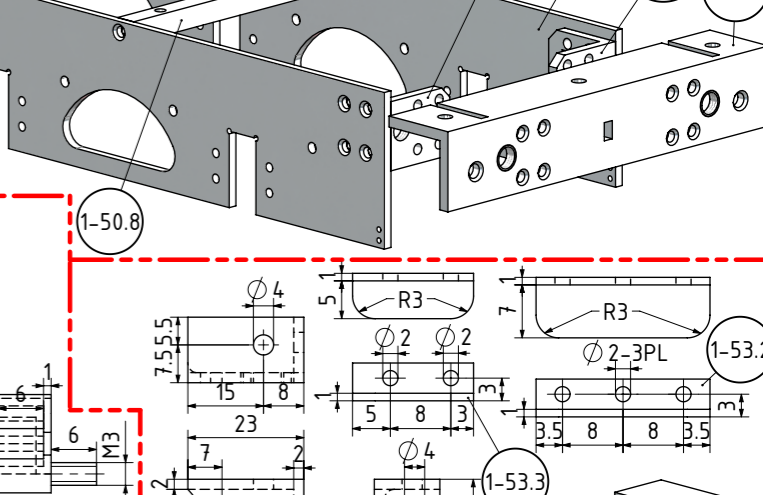
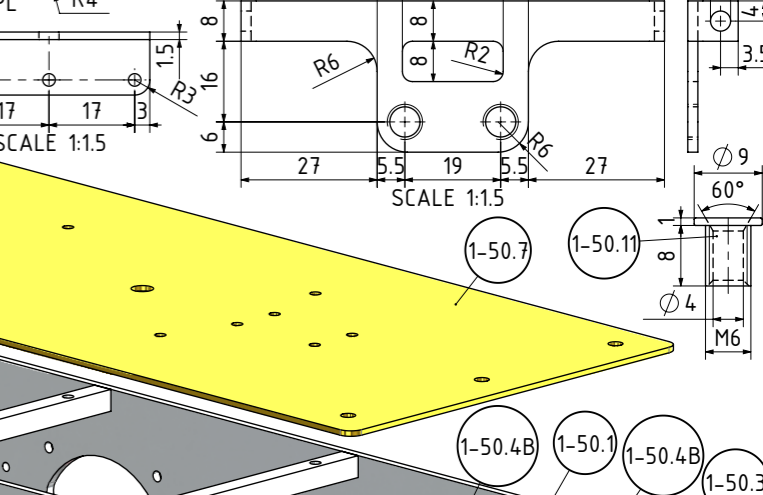
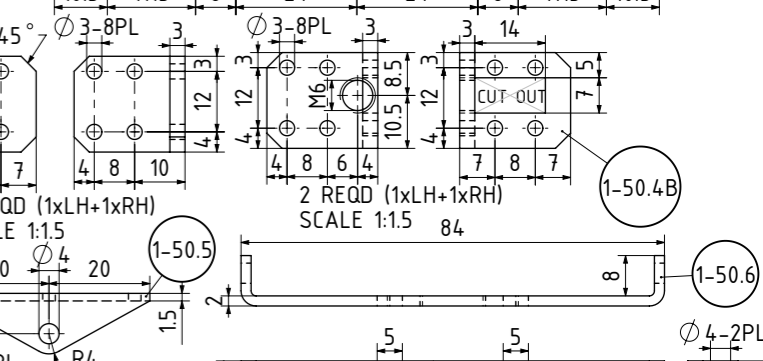
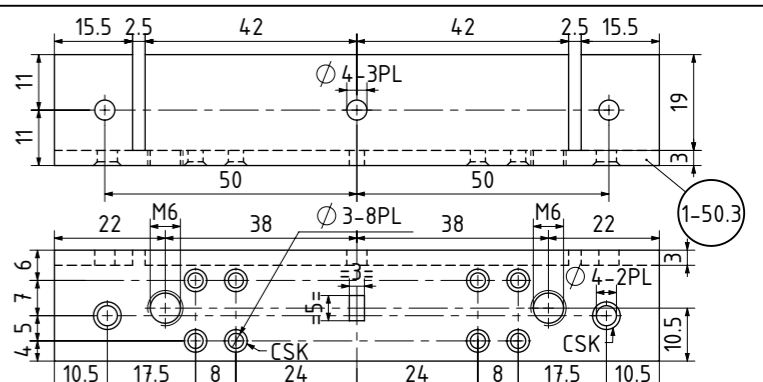
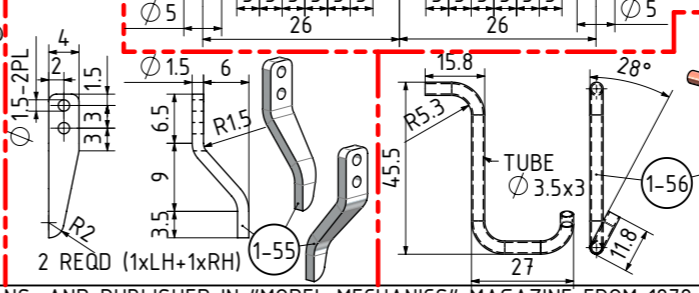
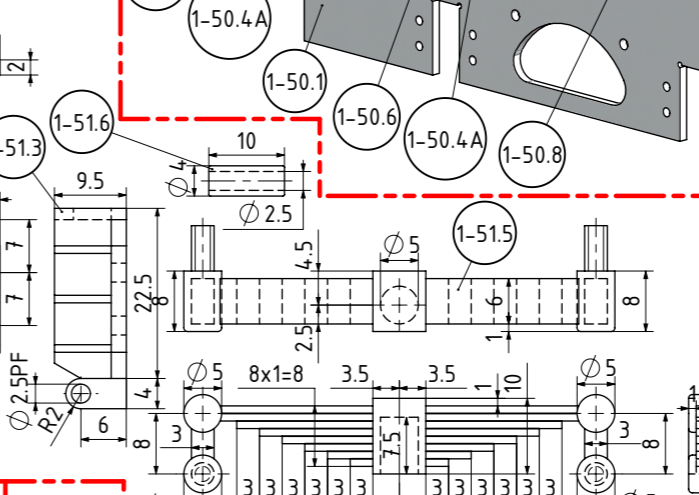
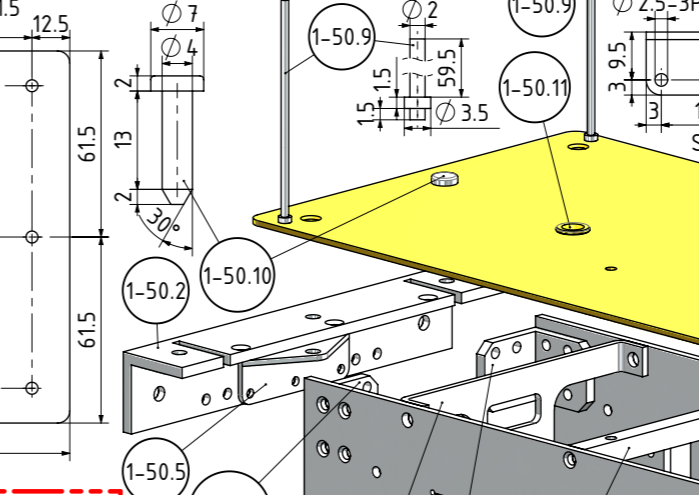
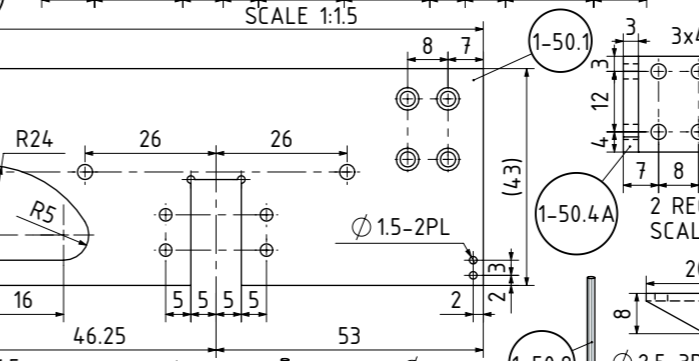
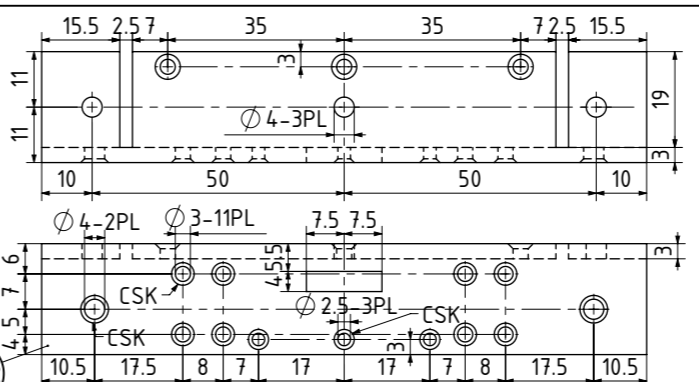
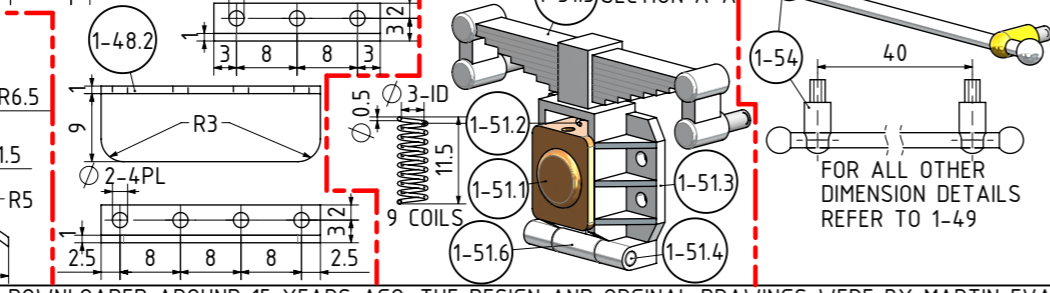
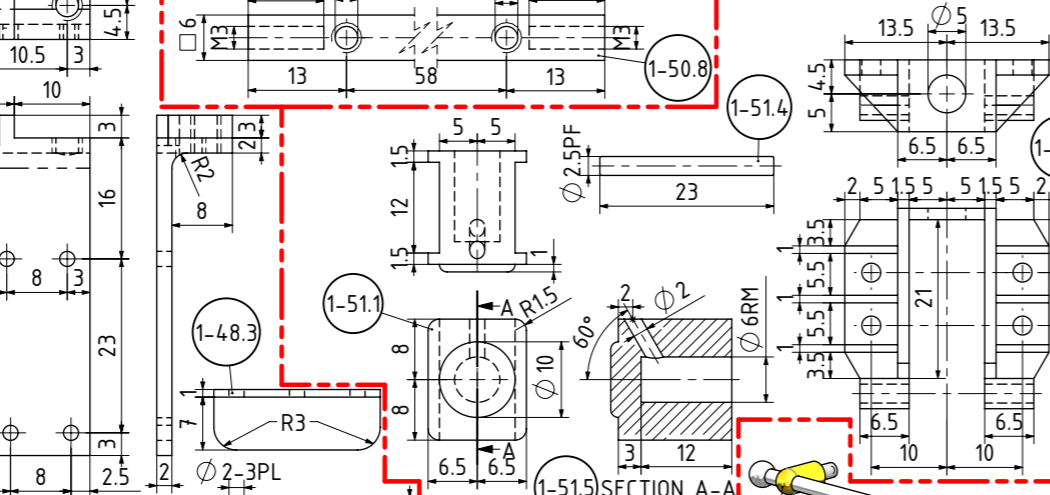
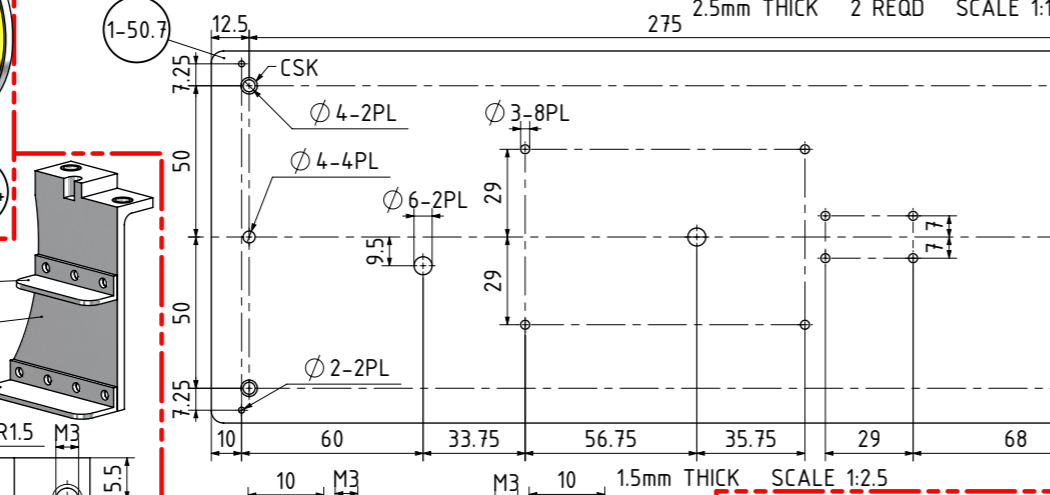
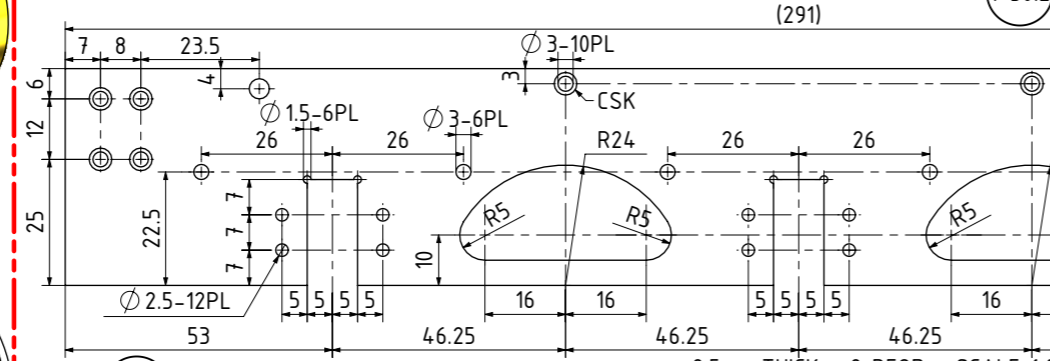
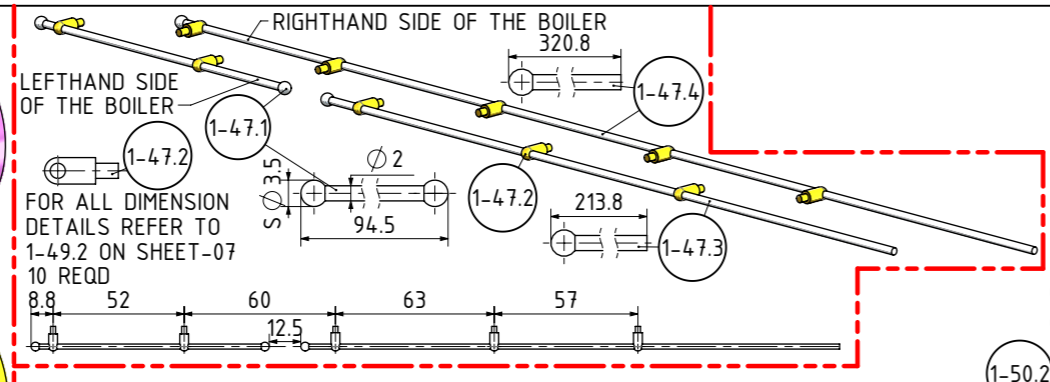
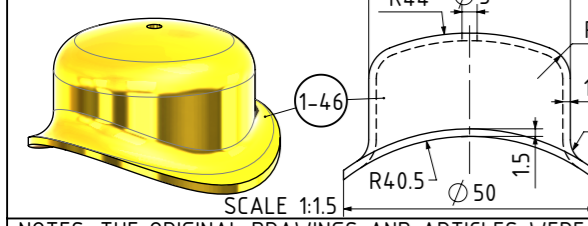
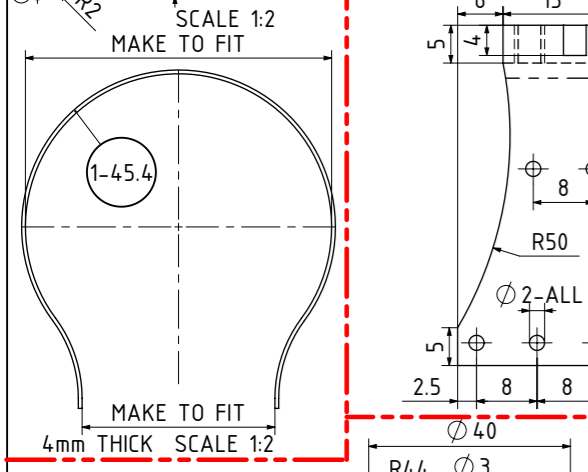
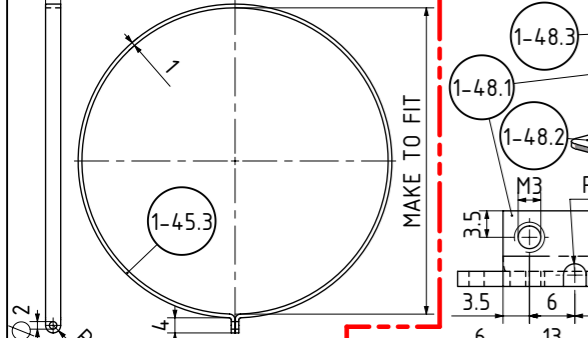
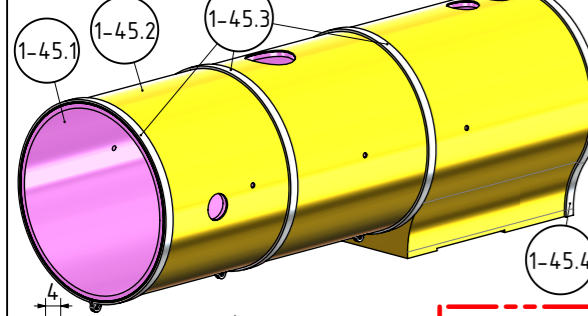
1-45.1
1-45.2
1-45.3
1-45.4

1-47.1
1-47.2
1-47.3
1-47.4

1-48.1
1-48.2
1-48.3

1-49.1
1-49.2
1-49.3
1-49.4
1-49.5
1-49.6
1-49.7
1-49.8
1-49.9
1-49.10
1-49.11
1-49.12
1-49.13
1-49.14
1-49.15
1-49.16
1-49.17
1-49.18
1-49.19
1-49.20
1-49.21
1-49.22
1-49.23
1-49.24
1-49.25
1-49.26
1-49.27
1-49.28
1-49.29
1-49.30
1-49.31
1-49.32
1-49.33
1-49.34
1-49.35
1-49.36
1-49.37
1-49.38
1-49.39
1-49.40
1-49.41
1-49.42
1-49.43
1-49.44
1-49.45
1-49.46
1-49.47
1-49.48
1-49.49
1-49.50
1-49.51
1-49.52
1-49.53
1-49.54
1-49.55
1-49.56
1-49.57
1-49.58
1-49.59
1-49.60
1-49.61
1-49.62
1-49.63
1-49.64
1-49.65
1-49.66
1-49.67
1-49.68
1-49.69
1-49.70
1-49.71
1-49.72
1-49.73
1-49.74
1-49.75
1-49.76
1-49.77
1-49.78
1-49.79
1-49.80
1-49.81
1-49.82
1-49.83
1-49.84
1-49.85
1-49.86
1-49.87
1-49.88
1-49.89
1-49.90
1-49.91
1-49.92
1-49.93
1-49.94
1-49.95
1-49.96
1-49.97
1-49.98
1-49.99
1-49.100

GLASSING/CLEADING MATERIAL BRASS 2mm THICK
GOOD FIT AROUND BOILER THERMAL INSULATION



NOTES: THE ORIGINAL DRAWINGS AND ARTICLES WERE DOWNLOADED AROUND 15 YEARS AGO. THE DESIGN AND ORIGINAL DRAWINGS WERE BY MARTIN EVANS, AND PUBLISHED IN "MODEL MECHANICS" MAGAZINE FROM 1979 AND 1980

TITLE
**A COAL FIRED 4-4-0 STEAM LOCOMOTIVE
CALLED "EAGLE" FOR 2.5"/64mm GAUGE**

DRAWING CONTENTS
PARTS AND ASSEMBLIES

PROJECT No 07B-25-00
JDW DRAUGHTING SERVICES
J.A.M. DE WAAL, 12 BRIGHTWELL STREET PAPAOKURA
2110, NEW ZEALAND. PHONE: 0064 09 2988815. MOB:
0211791000 E-MAIL: dewaal@xtra.co.nz.

PROJECTION
JDWDS MODEL SCALE: 1:22.5
DATE: OCTOBER 2024 DWG SCALE: 1:1 @A3 OR AS SHOWN
SHEET: 08 OF 11 A3 No:07B-25-00-SHT-08
Copyright © J.A.M. DE WAAL PAPAOKURA NZ

DRAWINGS ARE FOR PERSONAL USE ONLY NOT FOR COMMERCIAL PURPOSES