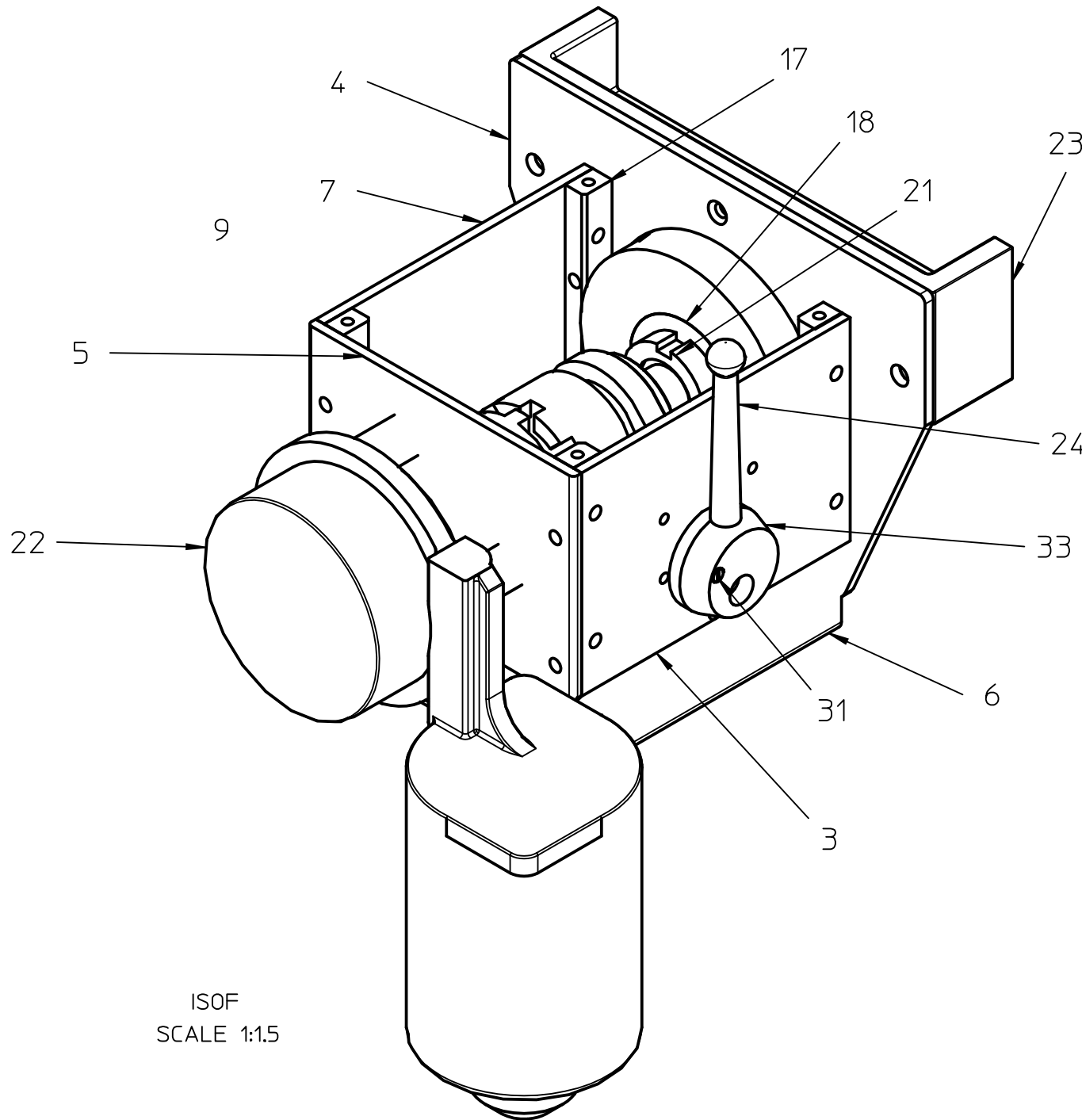
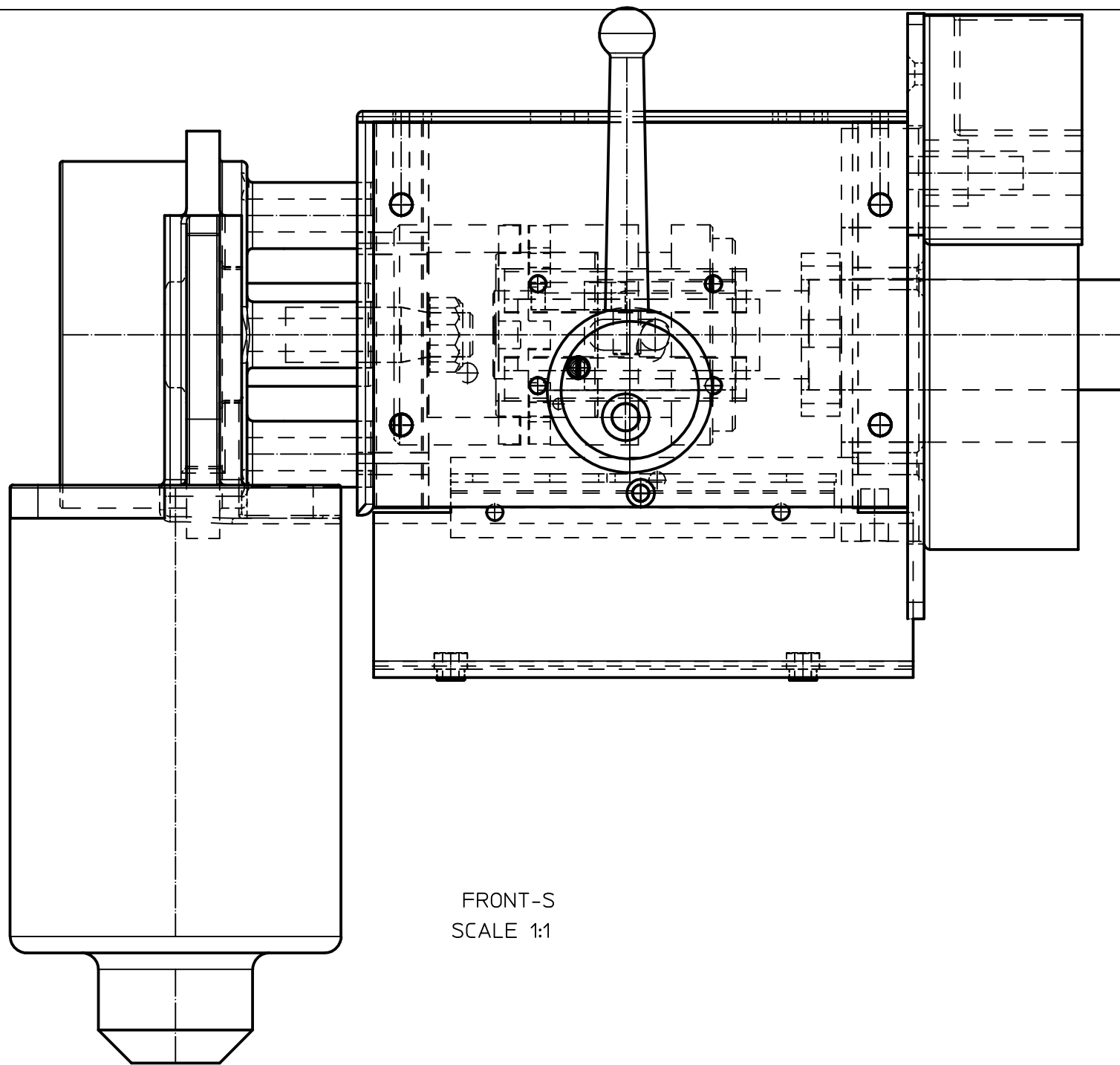


ISOE
SCALE 1:1.5

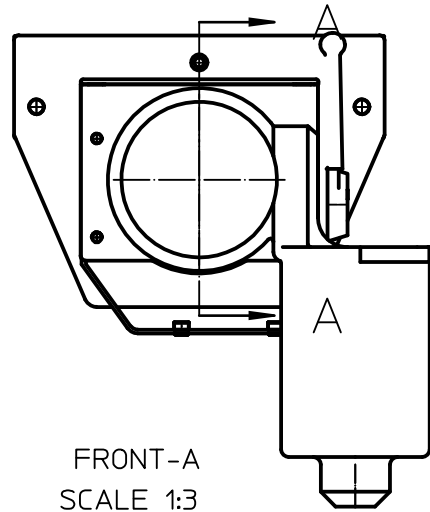


ISOF
SCALE 1:1.5

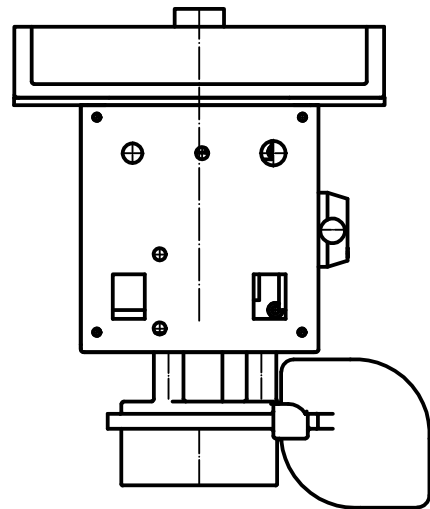
Pos	Part No.	Part Name
1		MidCover
2		ActArmGuide.1
3		SideFrame
4		BackFrame
5		FrontFrame
6		BottomCover
7		BkSideFrame
8		ActArmGuide
9		ClutchCover
10		stand
11		stand.1
12		stand.1.1
13		stand.1.1.1
14		CornerPost
15		CornerPost.1
16		CornerPost.1.1
17		CornerPost.1.1.1
18		Bearing
19		Key
20		spindle
21		nut
22		Motor
23		casting
24		OpHandle
25		ClutchKeyway
26		Clutch
27		DrivePlate
28		Ball
29		DriveRegister
30		ClutchActArm
31		Screw
32		Spring
33		OpHandleBase
34		DriveNut
35		TopCover



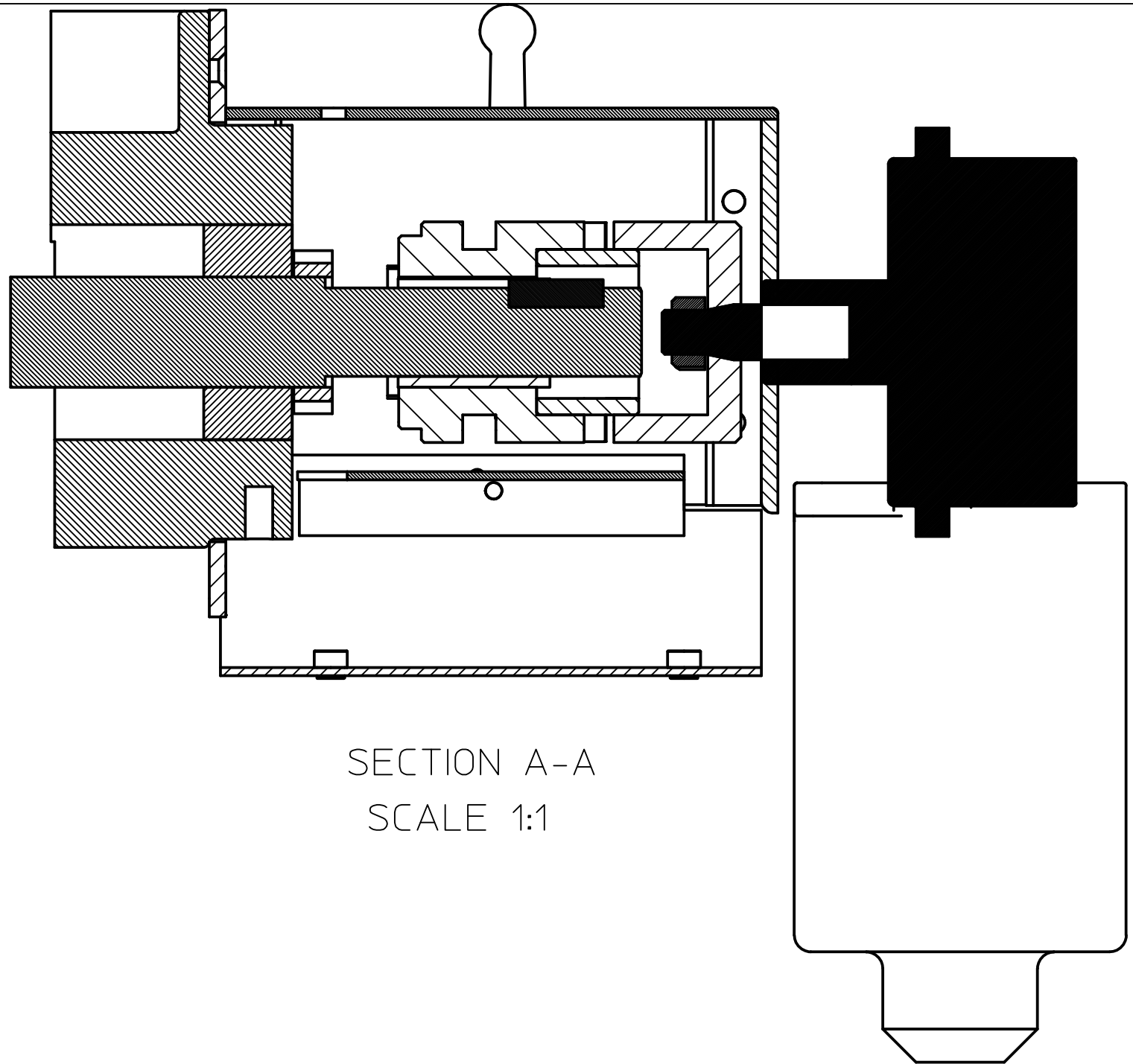
FRONT-S
SCALE 1:1



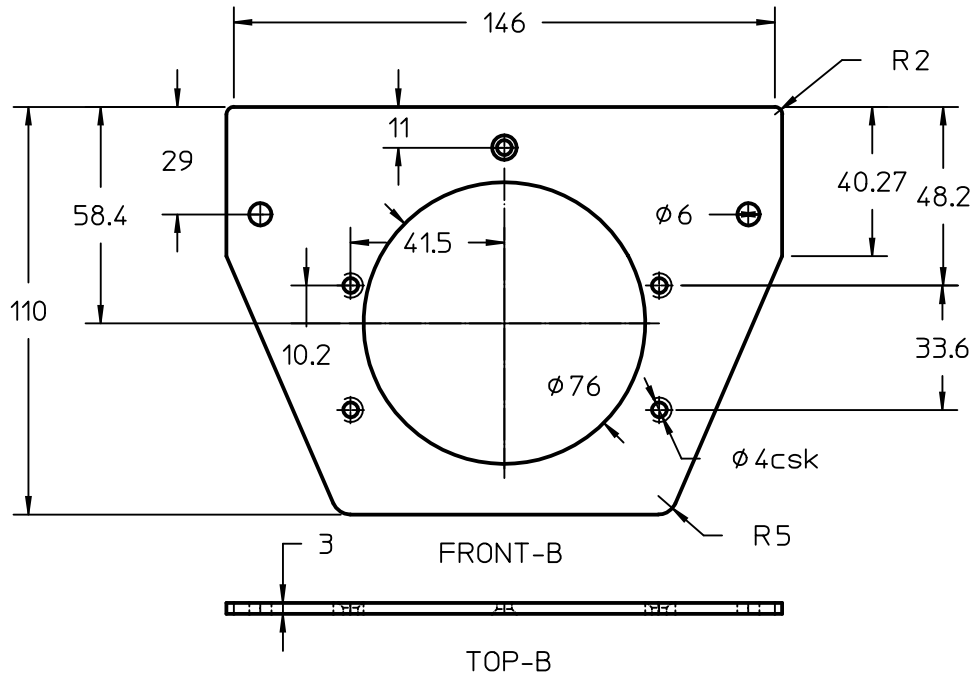
FRONT-A
SCALE 1:3



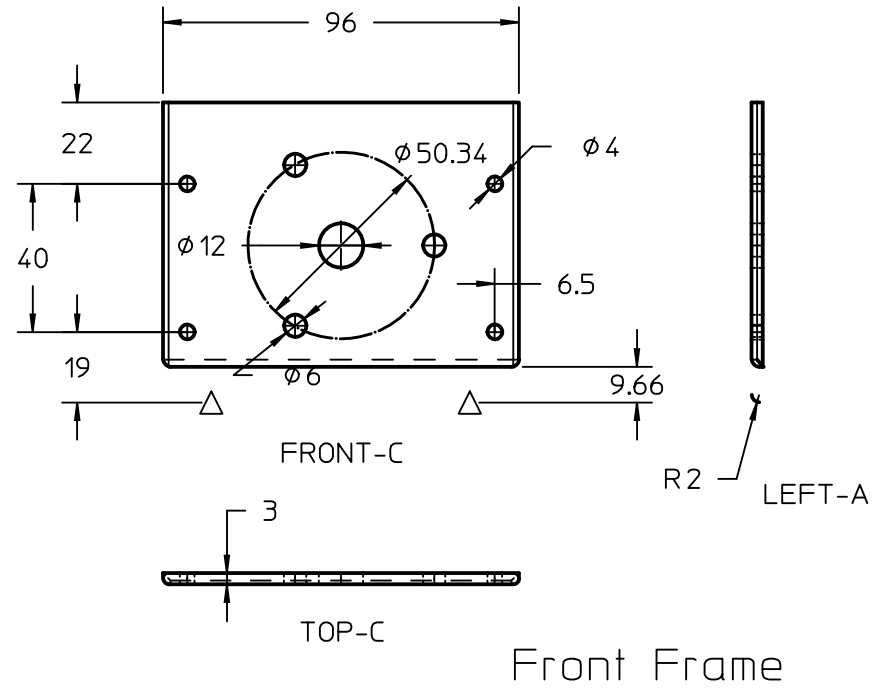
TOP-A
SCALE 1:3



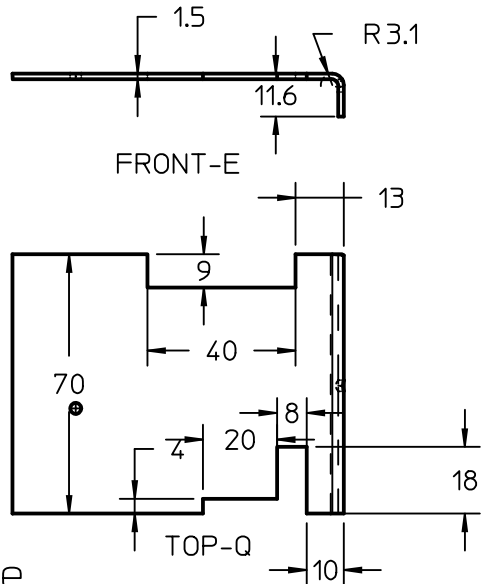
SECTION A-A
SCALE 1:1



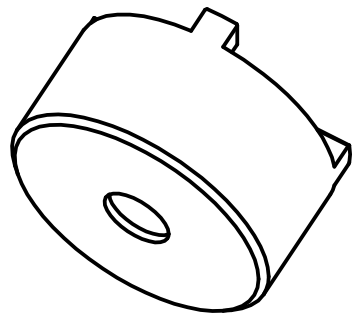
Back Frame



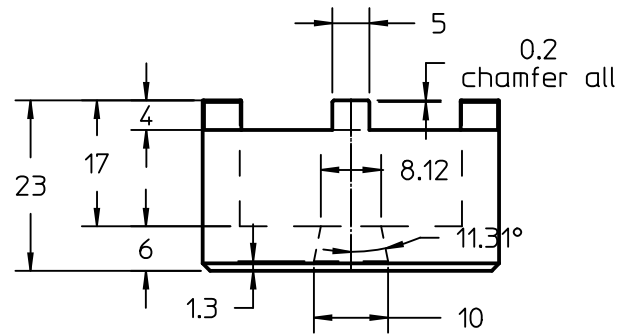
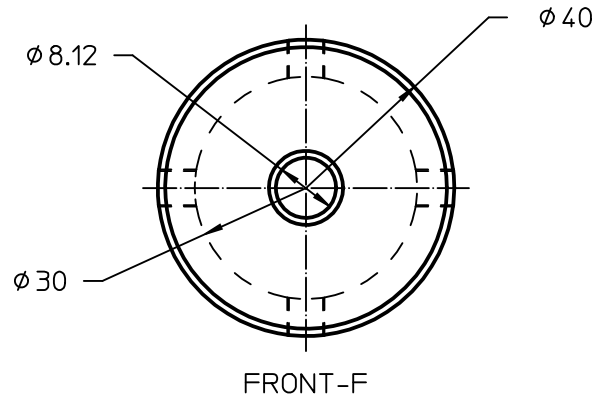
Front Frame



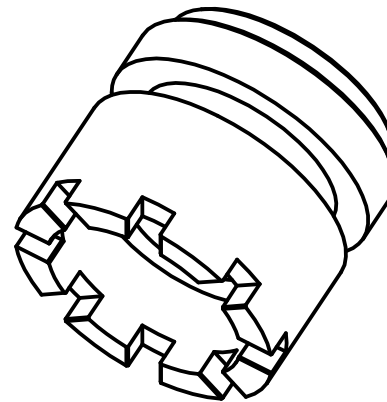
Mid Frame



ISOA

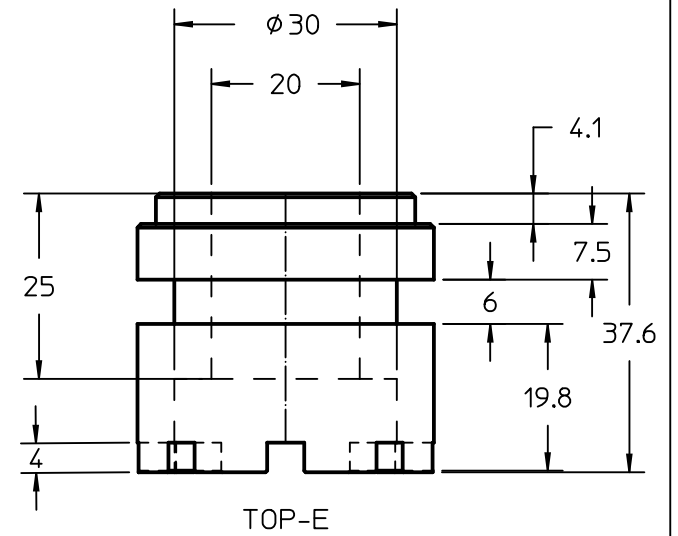
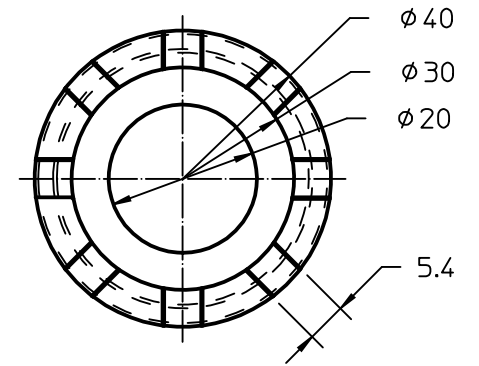


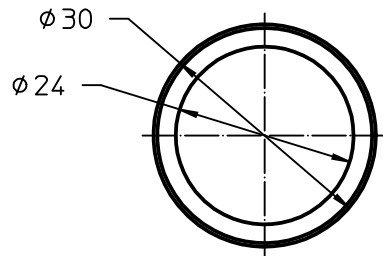
Drive Plate



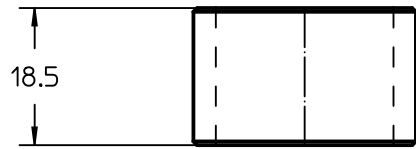
ISOB

Clutch



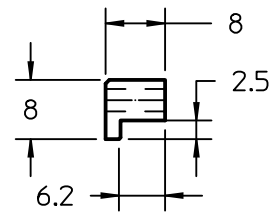


FRONT-H

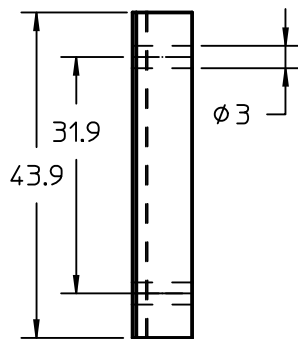


TOP-F

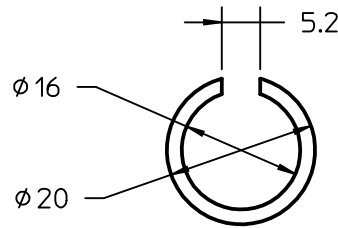
Register Shaft



FRONT-K



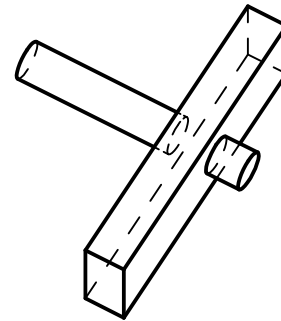
TOP-I



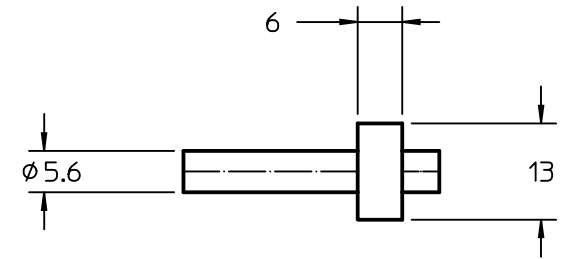
FRONT-J



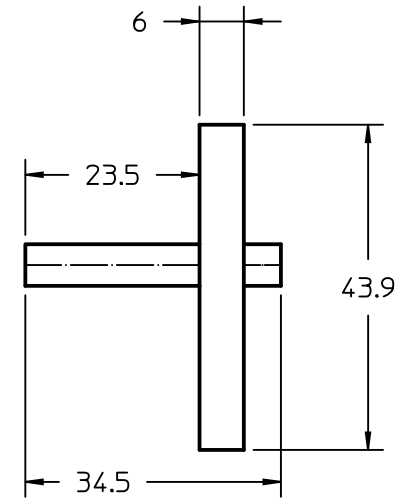
TOP-H



ISOC



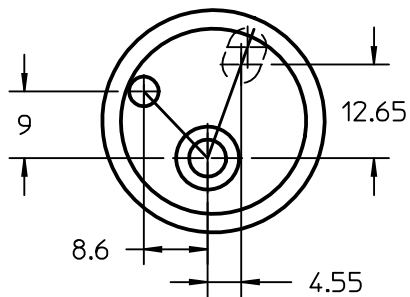
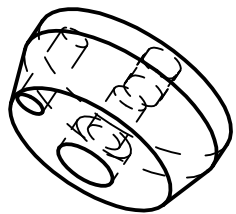
FRONT-I



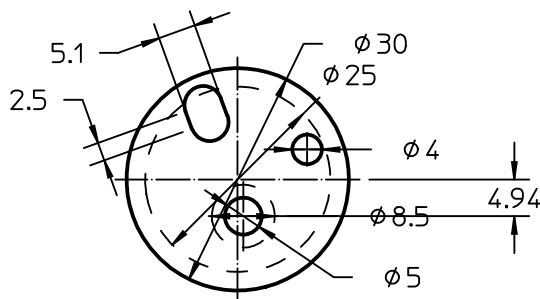
TOP-G

Clutch Actuating Lever

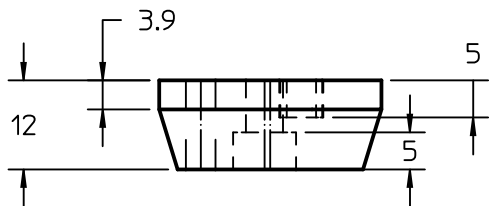
Guides x 2



FRONT-L

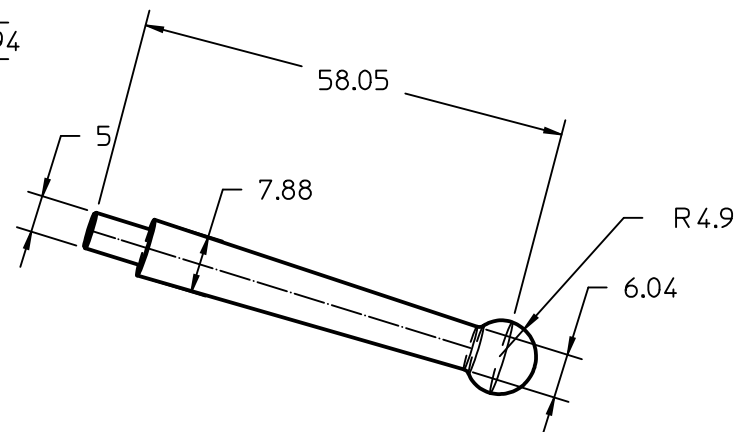


BACK-A



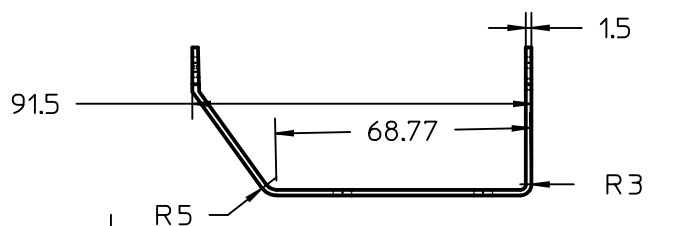
TOP-J

Handle Base

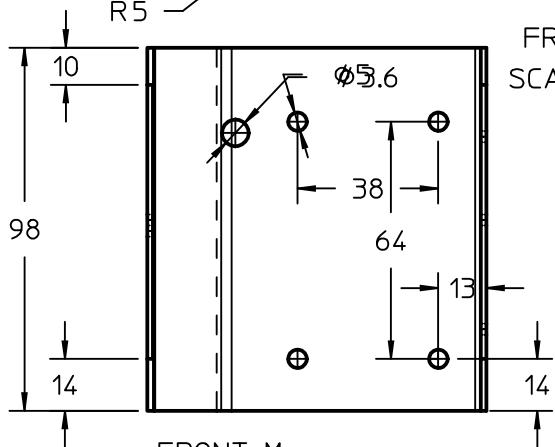


TOP-K

Handle

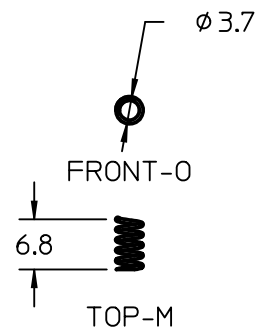


FRONT-U
SCALE 1:2



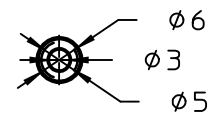
FRONT-M

Bottom Cover



FRONT-O

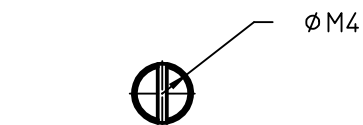
TOP-M



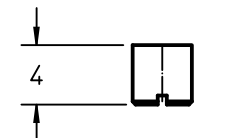
TOP-T

FRONT-V

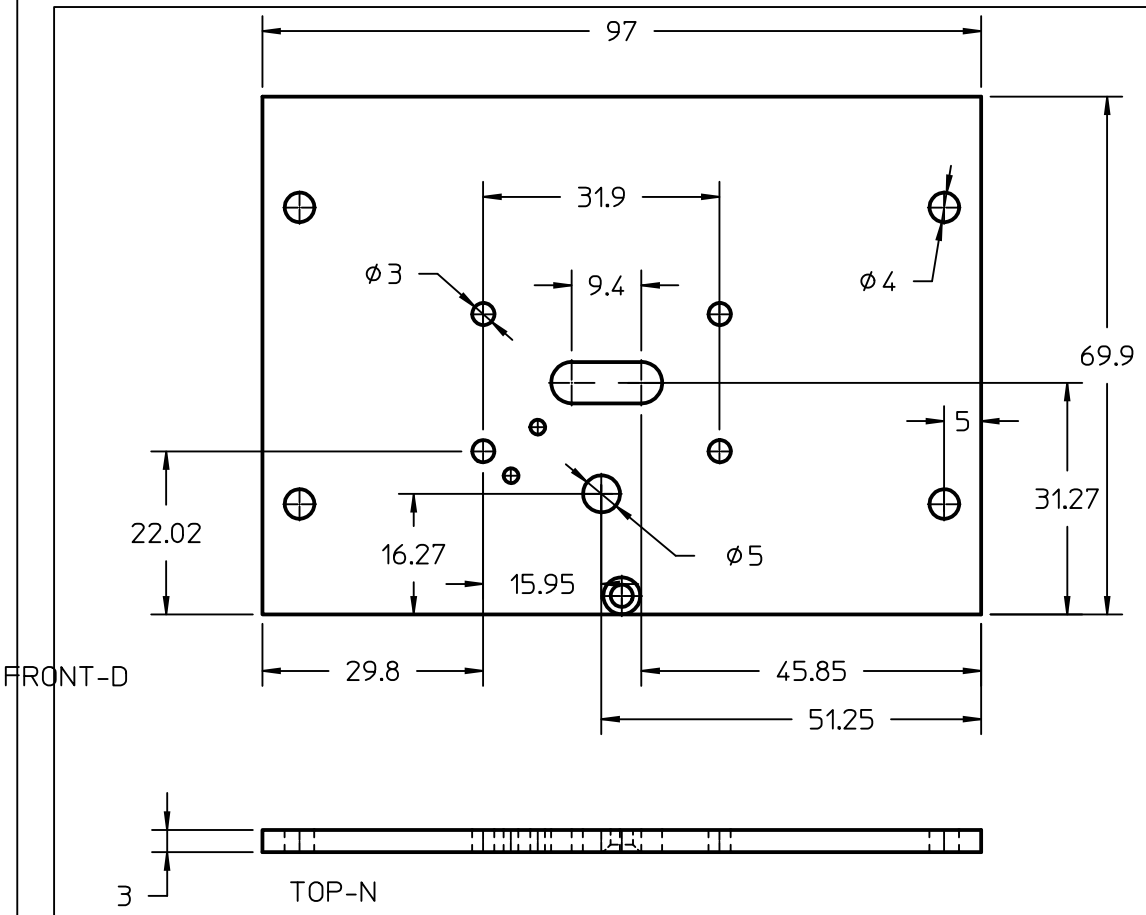
Stands x4



FRONT-N
SCALE 2:1

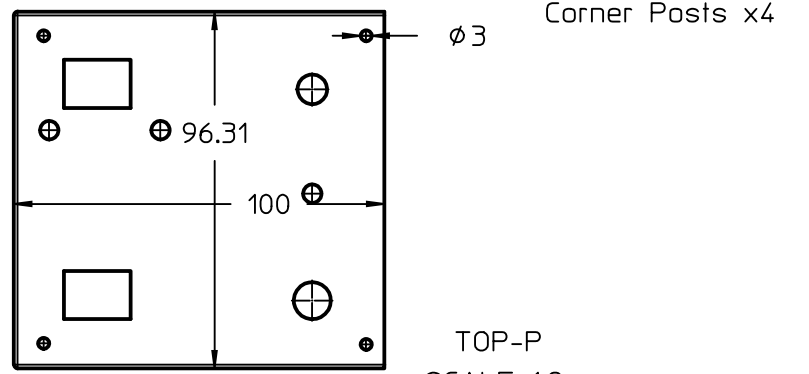
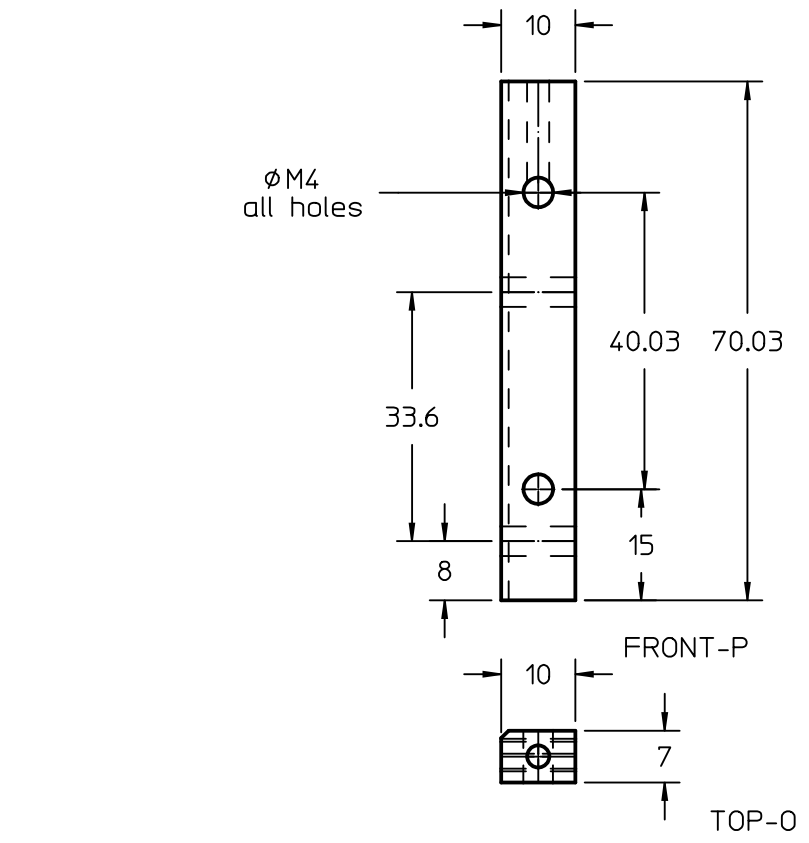


TOP-L
SCALE 2:1



Front Side Frame

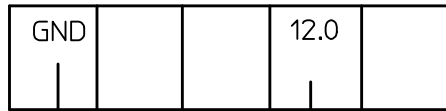
FRONT-Q
SCALE 1:2



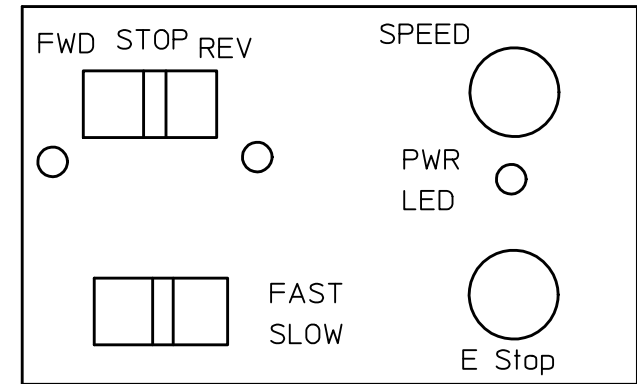
Top Cover

TOP-P
SCALE 1:2

Supply



PWR
LED



FORWARD/
REVERSE
SW

SPEED
CTRL

POWER CONTROL

DIR. LEDS

E Stop
SW

FAST/
SLOW
SW

MOTOR