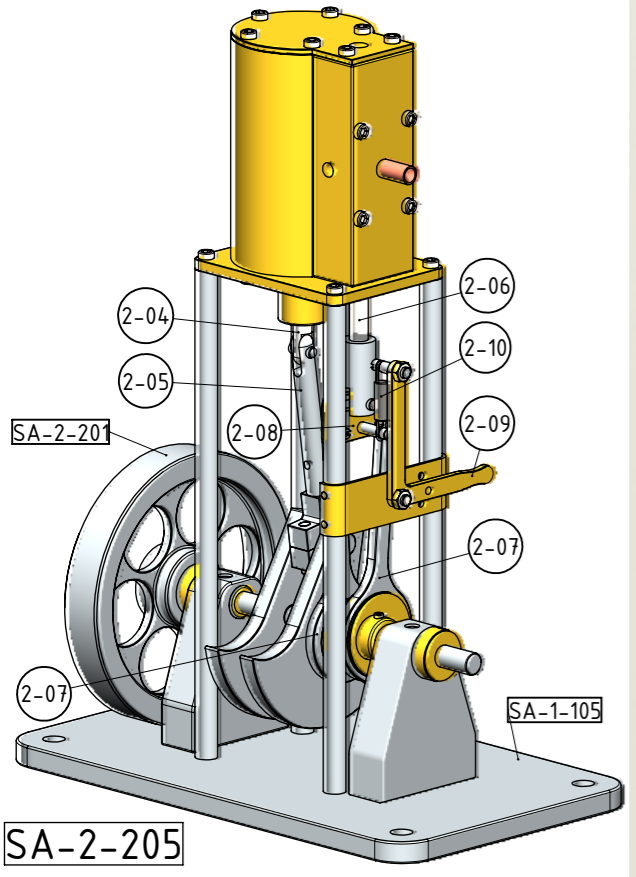


SA-2-201



SA-2-205



NOTES: THE ORIGINAL DRAWINGS WERE GIVEN TO ME. THE ORIGINAL DRAWINGS HAD IMPERIAL DIMENSIONING AND DO NOT SHOW THE NAME OF THE DESINGER AND/OR DRAFTER OR ANY DATE. (A SIMPLE MACHINE FOR A YOUNG BEGINNER ENGINEER)

TITLE  
**A SIMPLE 1 CYLINDER VERTICAL STEAM ENGINE WITH SPOOL VALVE & REVERSER**

DRAWING CONTENTS  
**PARTS AND ASSEMBLIES RENDERED PICTURE**

PROJECT No 09C-30-00  
 JDW DRAUGHTING SERVICES  
 J.A.M. DE WAAL, 12 BRIGHTWELL STREET PAKAPURA 2110.  
 NEW ZEALAND. PHONE: 0064 09 2988815. MOB: 0211791000  
 E-MAIL: dewaal@xtra.co.nz.

PROJECTION  
**JDWDS**  
 DATE MAY 2018  
 SHEET: 03 OF 03

MODEL SCALE: 1:1  
 DWG SCALE: 1:1 @A3 OR AS SHOWN  
 Copyright © J.A.M. DE WAAL PAKAPURA NZ  
**A3** No: 09C-30-00-SHT03