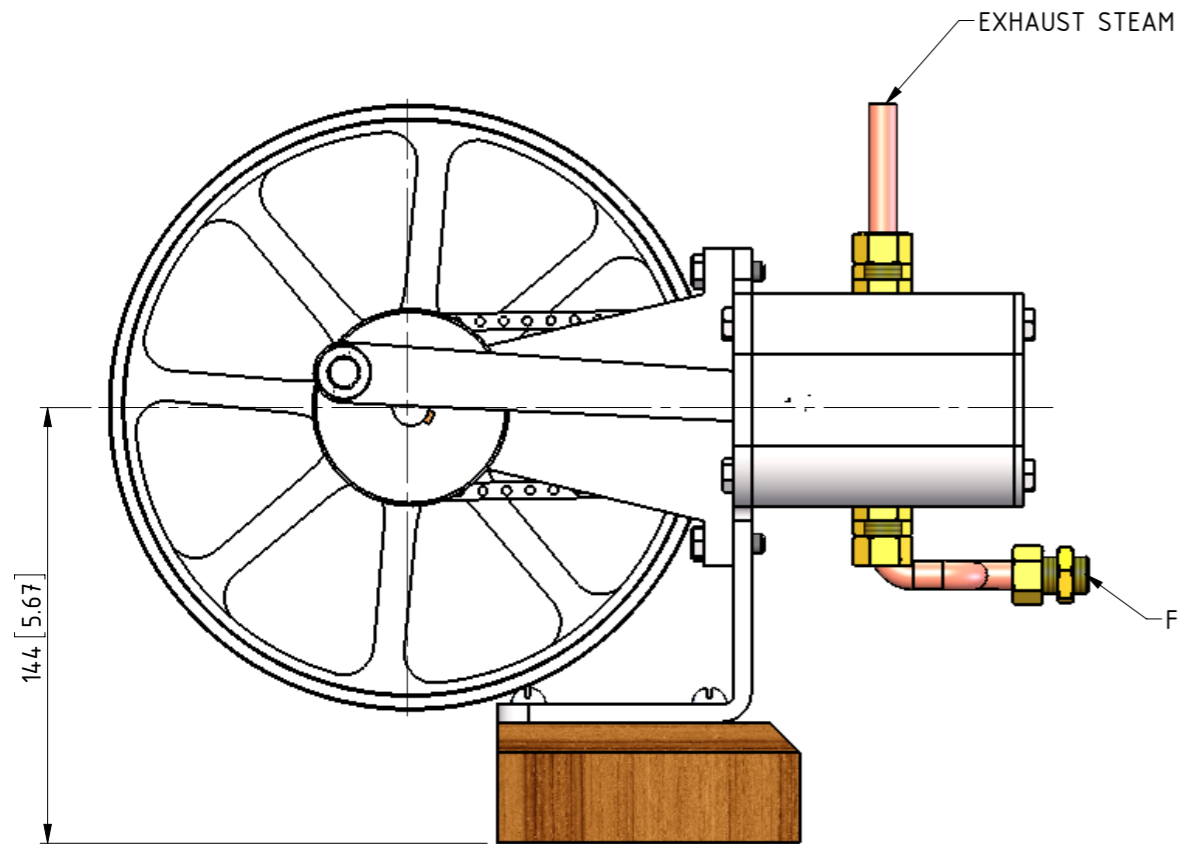
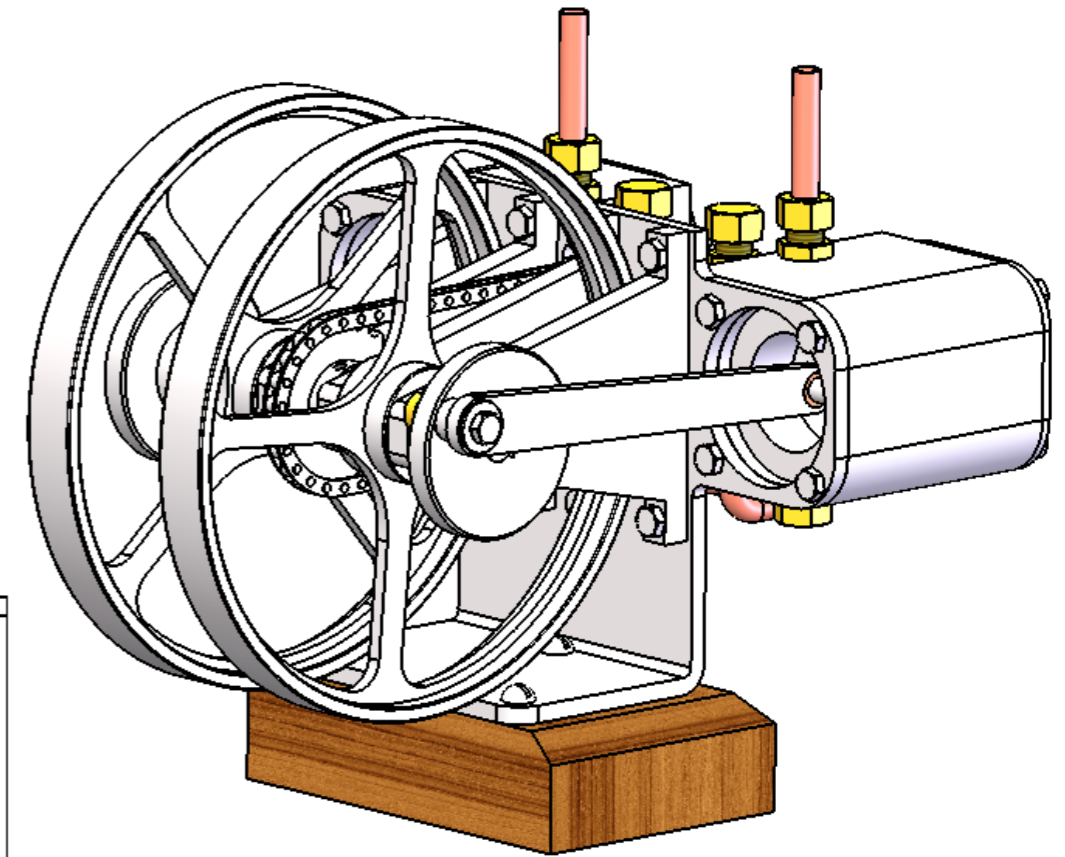
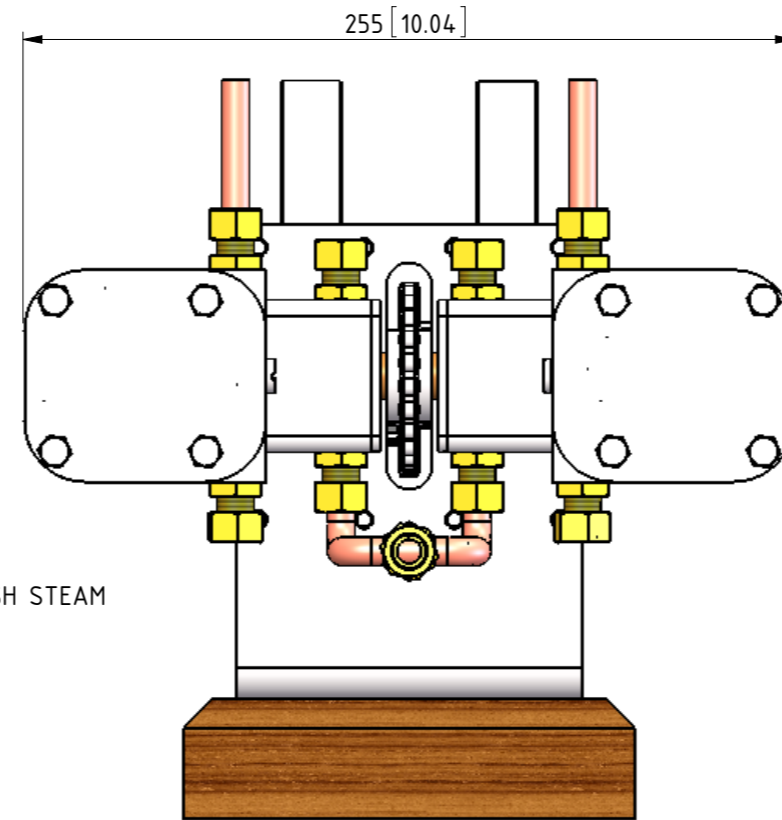


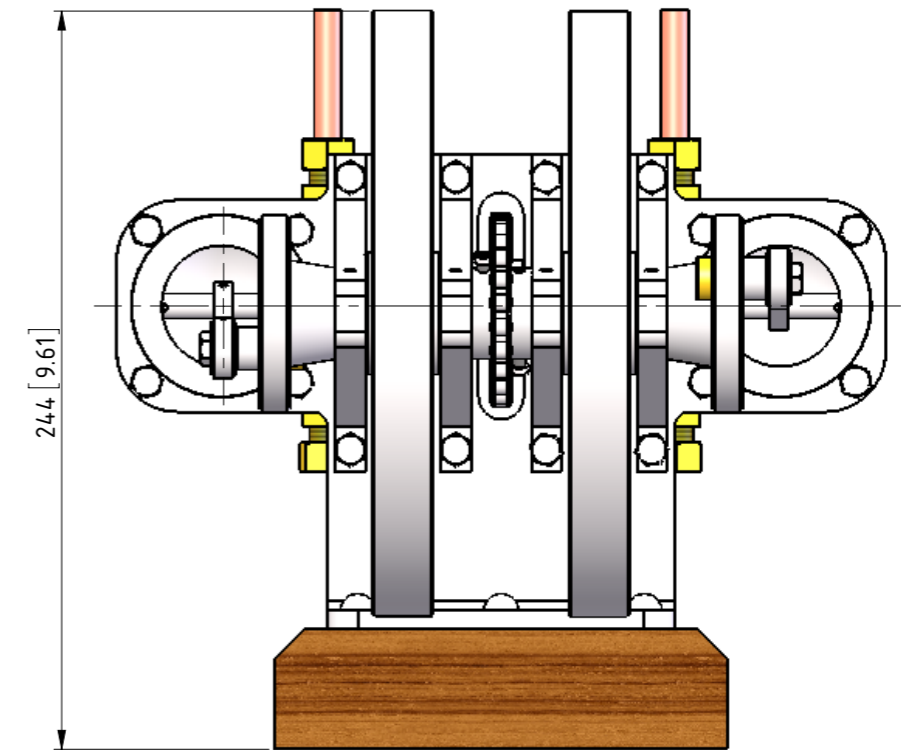
TOP VIEW



SIDE VIEW



FRONT VIEW



REAR VIEW

TITLE EXPERIMENTAL TWIN CYLINDER STEAM ENGINE WITH ROTATING VALVES  
GENERAL ARRANGEMENT

REV	DESCRIPTION	DATE
A	ISSUED TO NVM	03/2007

JDW DRAUGHTING SERVICES  
12 BRIGHTWELL STREET  
PAPAKURA NEW ZEALAND  
TEL/FAX 0064-09-2988815  
E-MAIL:dewaal@xtra.co.nz

DRAWN BY  
J.A.M. DE WAAL  
DATE  
APRIL 2006

PROJECTION  
SCALE  
AS SHOWN

DRAWING NUMBER  
RVSTM-000  
CAD FILE  
REV  
A