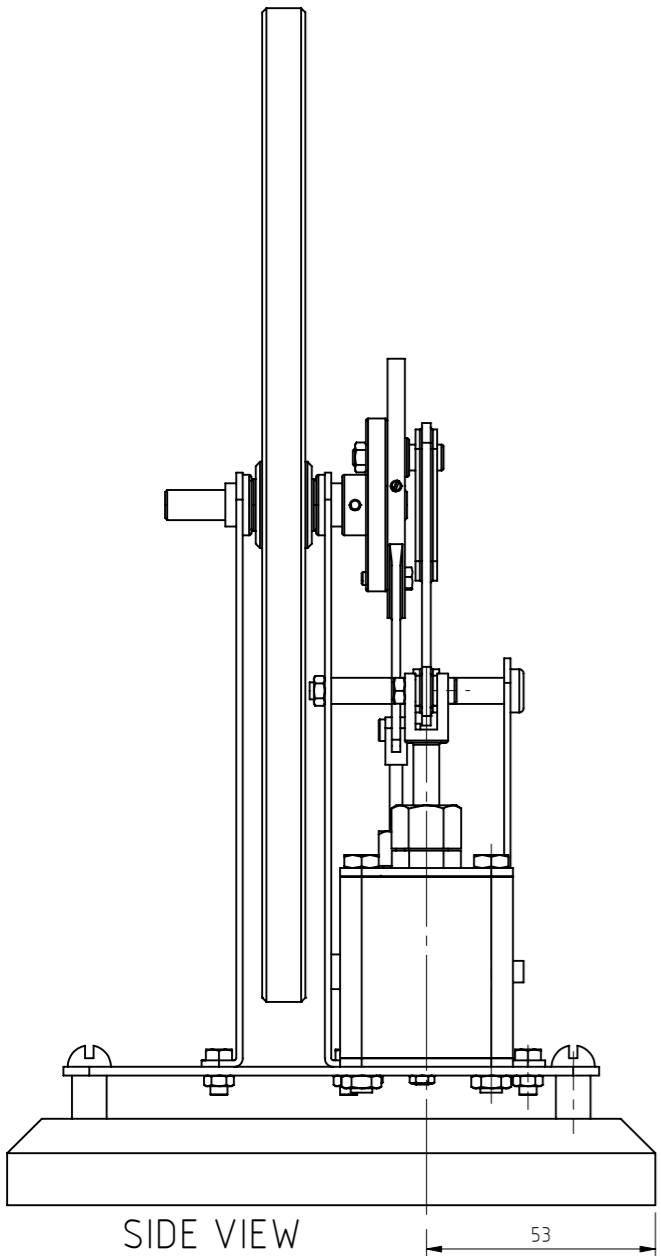
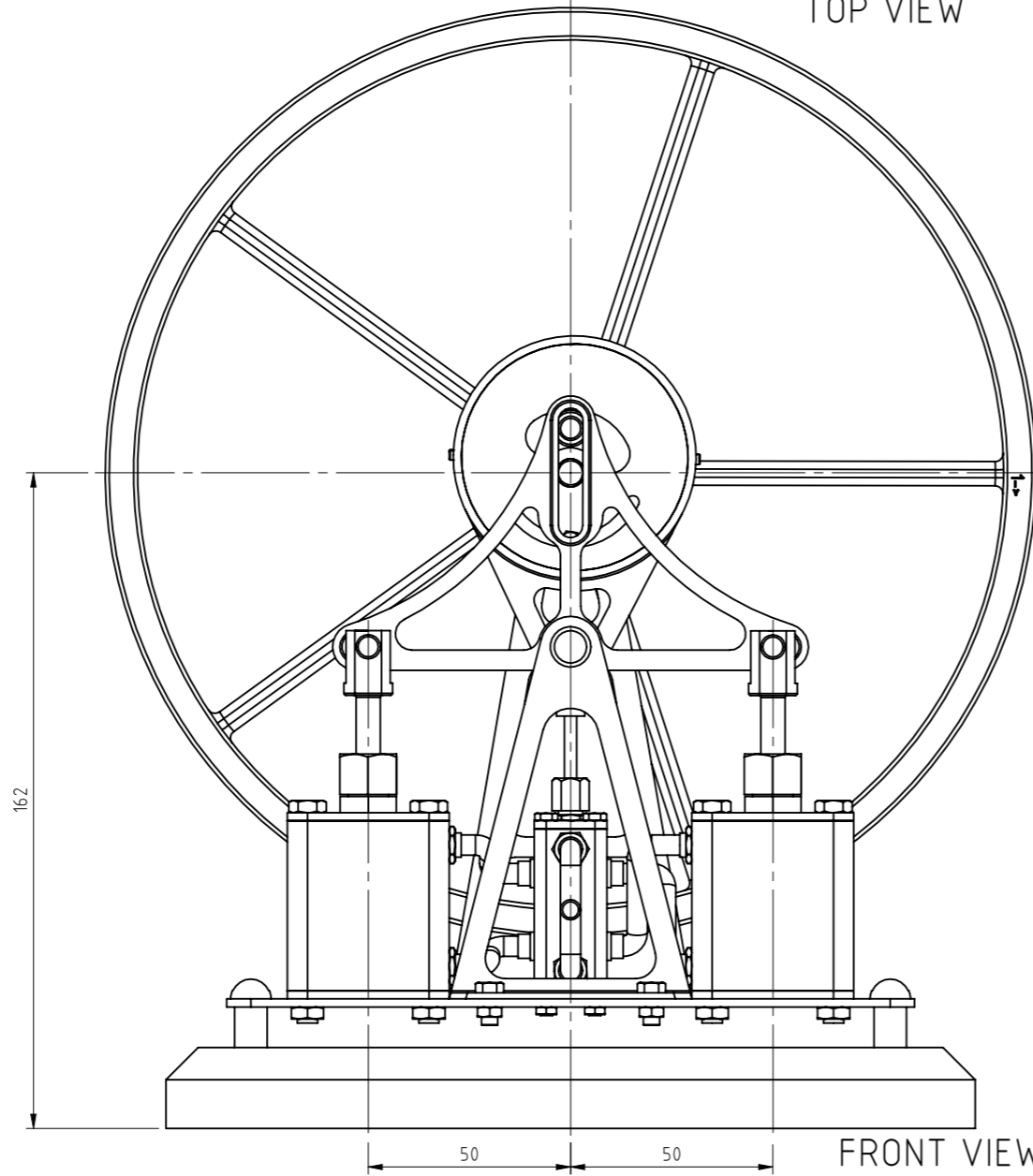


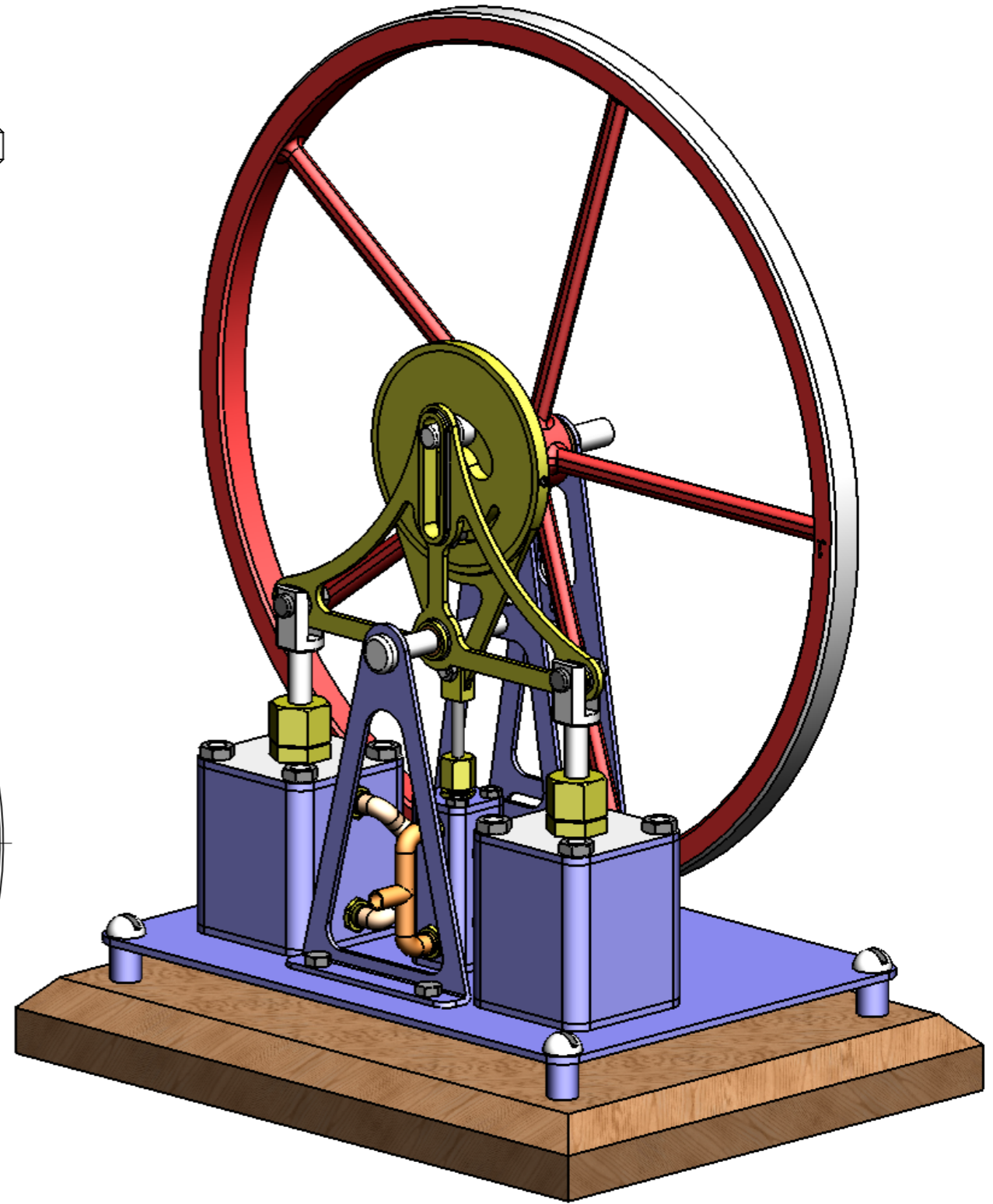
TOP VIEW



SIDE VIEW



FRONT VIEW

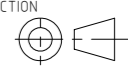


A3	TITLE	EXPERIMENTAL VERTICAL TWO CYLINDER SEE-SAW STEAM ENGINE.
	GENERAL ARRANGEMENT	

REV	DESCRIPTION	DATE
A	ISSUED TO NVM	

JDW DRAUGHTING SERVICES
 12 BRIGHTWELL STREET
 PAKAPURA NEW ZEALAND
 TEL/FAX 0064-09-2988815
 E-MAIL:dewaal@xtra.co.nz

DRAWN BY
 J.A.M. DE WAAL
 DATE
 MAY 2009

PROJECTION

 SCALE 1:1 of AS SHOWN

DRAWING NUMBER	SS-000	SHEET	
CAD FILE		REV	A