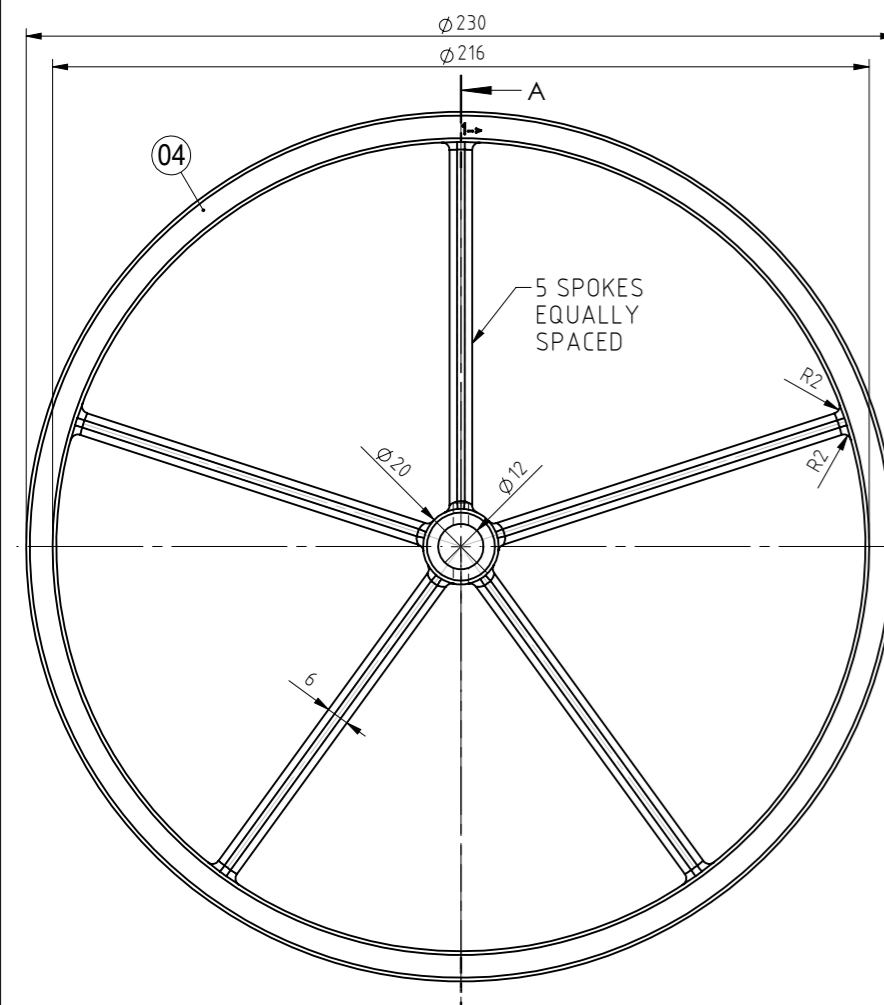
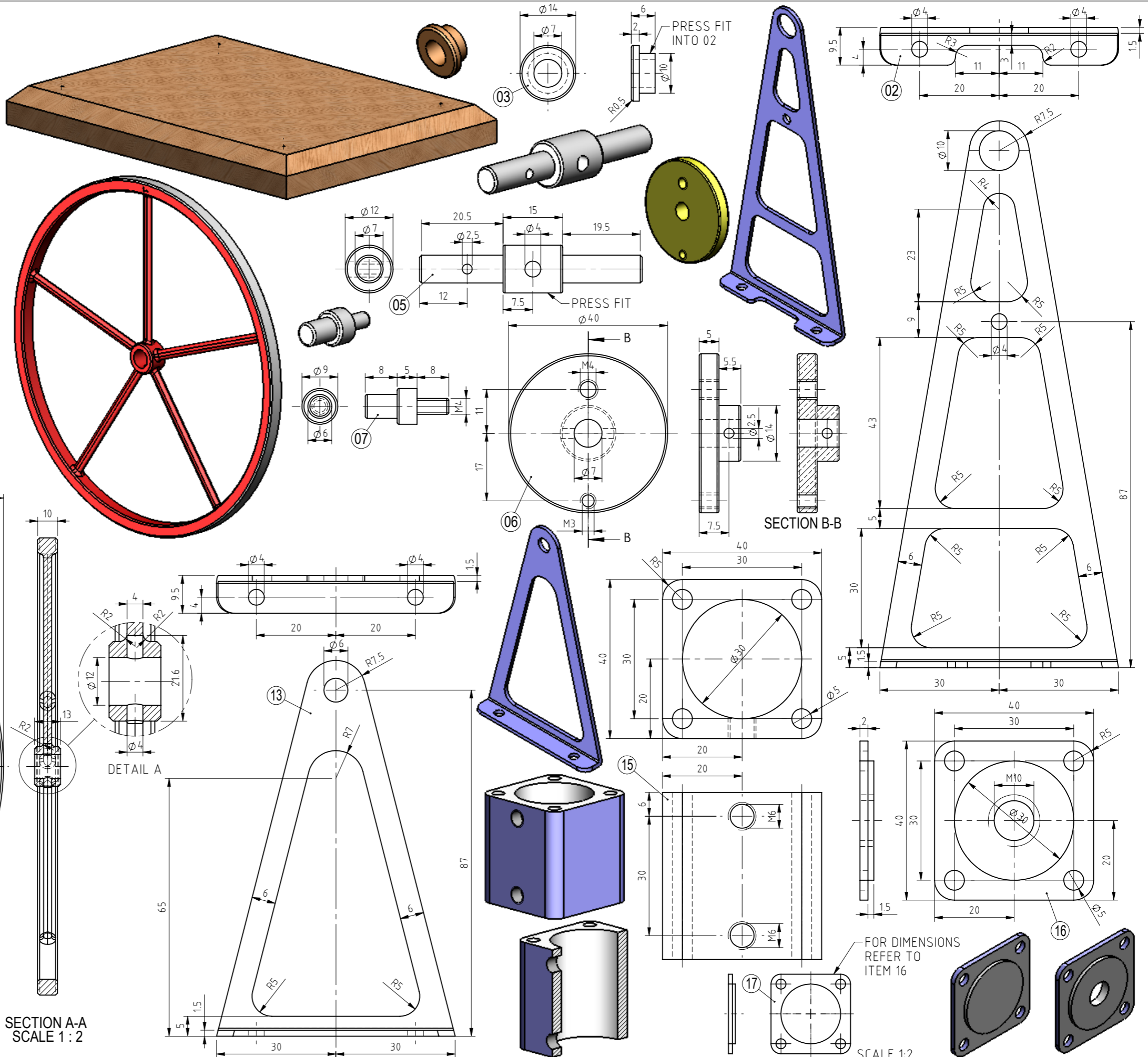


SCALE 1:2



SCALE 1:2



SECTION A-A
SCALE 1:2

SECTION B-B

SCALE 1:2

A3	TITLE	EXPERIMENTAL VERTICAL TWO CYLINDER SEE-SAW STEAM ENGINE. COMPONENTS
	REV	DESCRIPTION DATE

A	ISSUED TO NVM	DATE
REV	DESCRIPTION	DATE

JDW DRAUGHTING SERVICES
12 BRIGHTWELL STREET
PAKAPURA NEW ZEALAND
TEL/FAX 0064-09-2988815
E-MAIL:dewaal@xtra.co.nz

DRAWN BY
J.A.M. DE WAAL
DATE
MAY 2009

PROJECTION
SCALE 1:1 or AS SHOWN

DRAWING NUMBER
SS-002
CAD FILE
REV
A