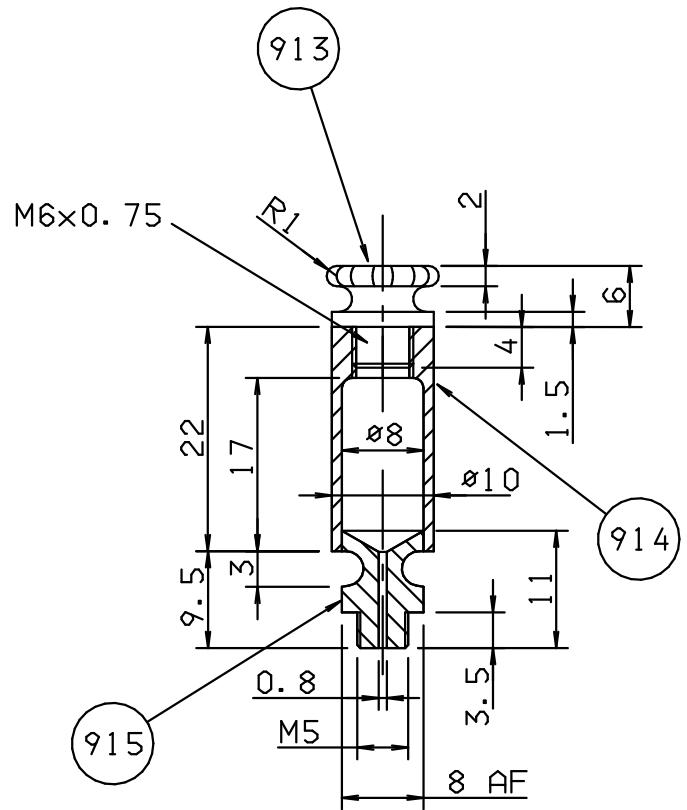
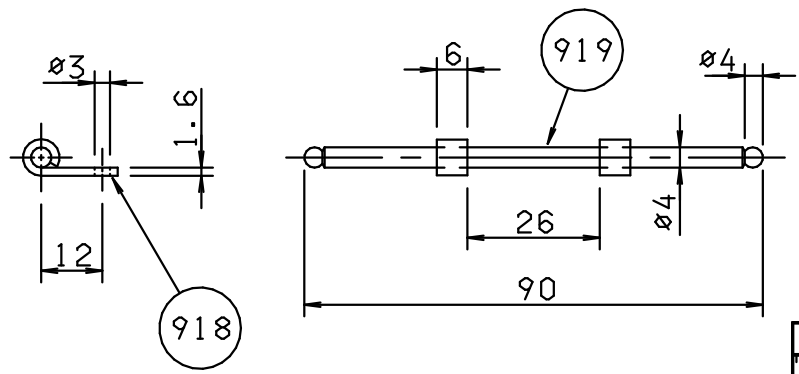
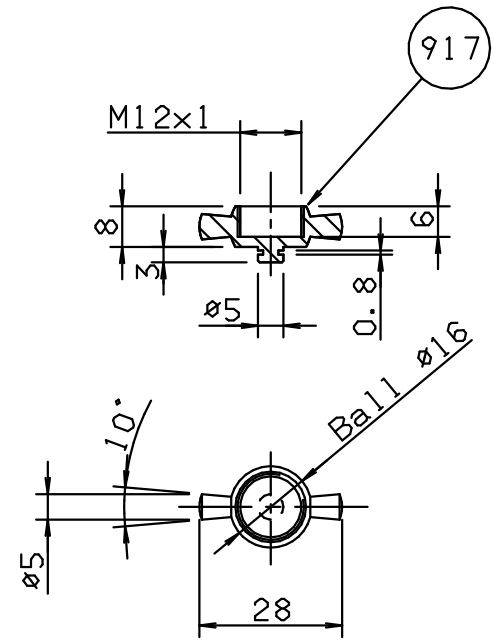
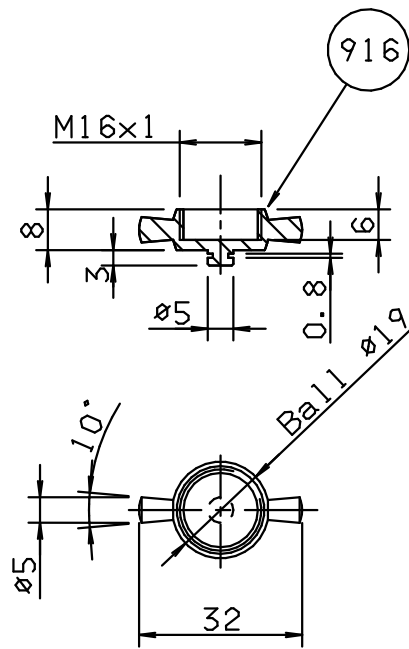


Blanking Caps



Lubricator



Pump Handrail

© Guenter Kallies 22523 Hamburg Goldregenweg 1c	
File: Shand & Mason Steam Fire Engine	IBM/ALTEUM MICRO CADDM
Part: Lubricator Caps & Handrail	CAD File Name 03
Zeichn.Nr.: 002 - 09-C	Maßstab: 2 : 1 (1:1)