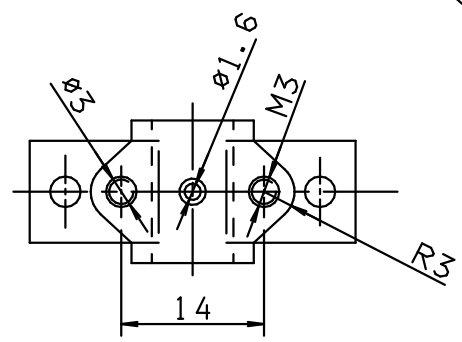
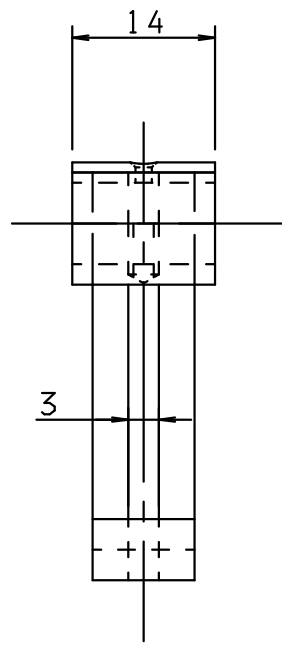
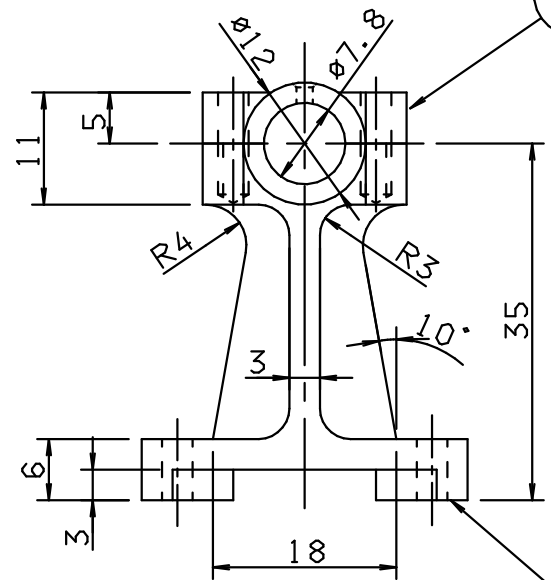
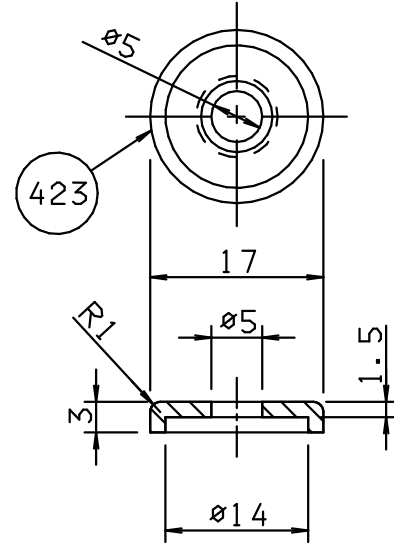
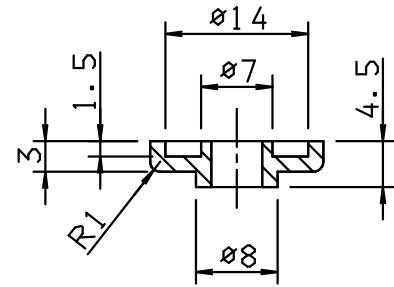


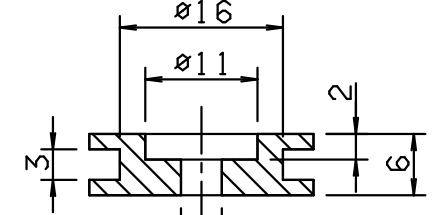
422
A



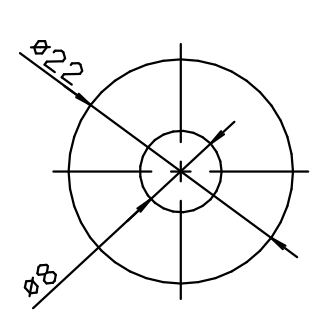
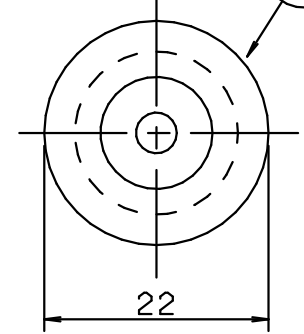
422



423



424



cup leathers

0.75

423
A

© Guenter Kallies 22523 Hamburg Goldregenweg 1c	
file: Shand & Mason Steam Fire Engine	IBM/ALTEUM MICRO CADDM
bauteil: Centre Bearing & Pump plunger	CAD File Name DPumpe 11
Zeichn.Nr.: 002 - 04-L	Masstab: 2 : 1