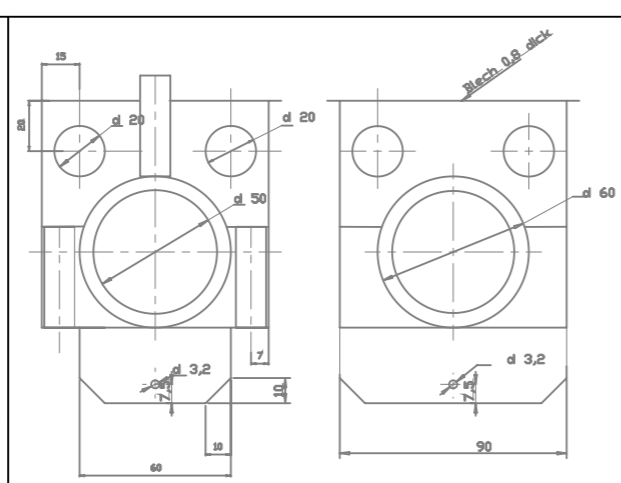
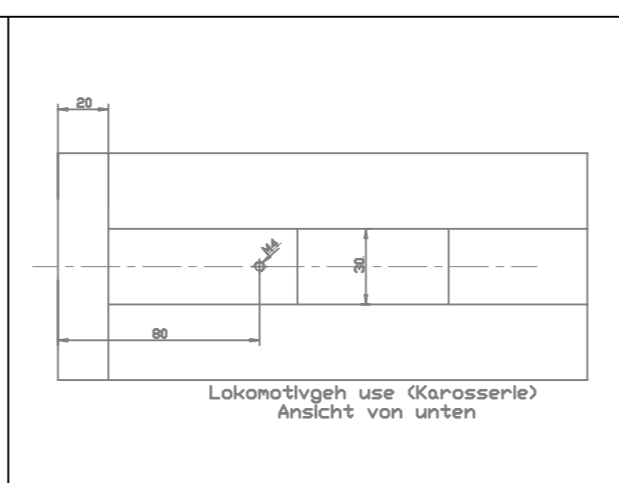


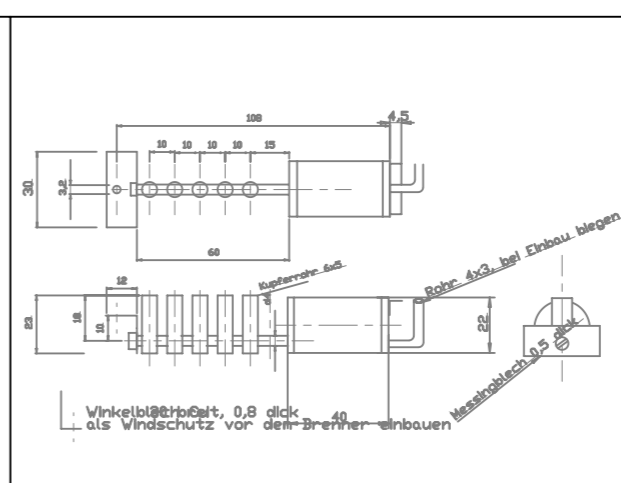
DRAWING-01



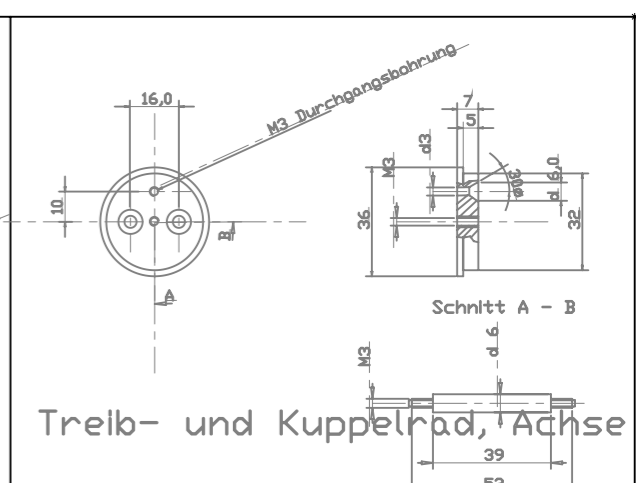
DRAWING-02



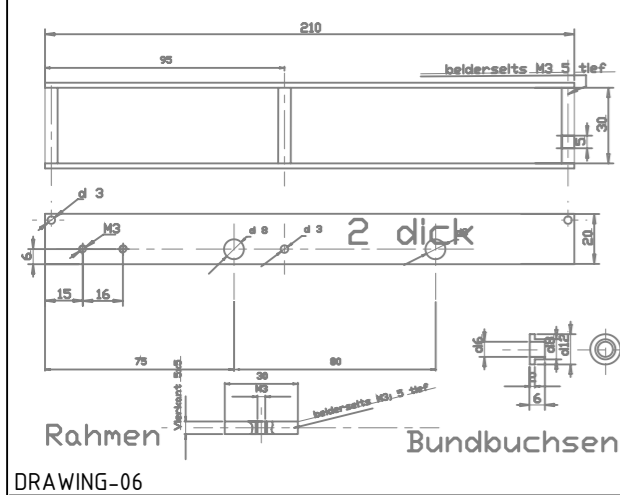
DRAWING-03



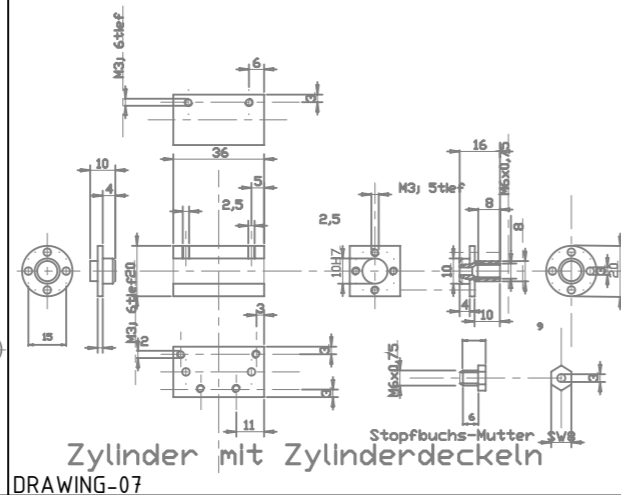
DRAWING-04



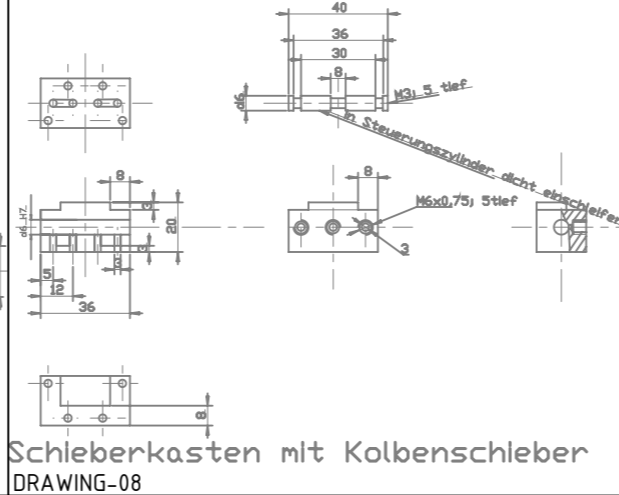
DRAWING-05



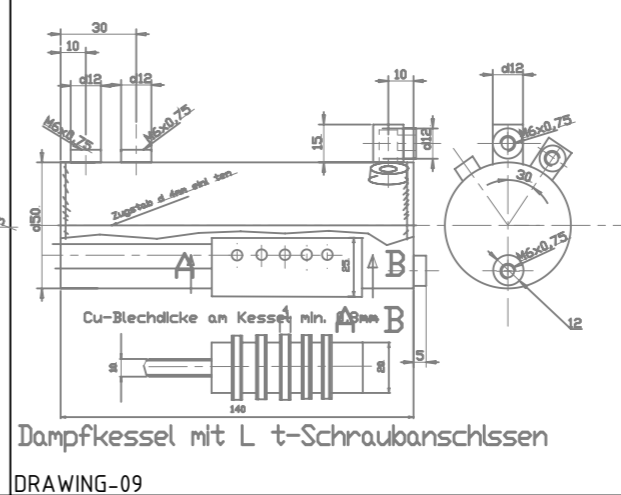
DRAWING-06



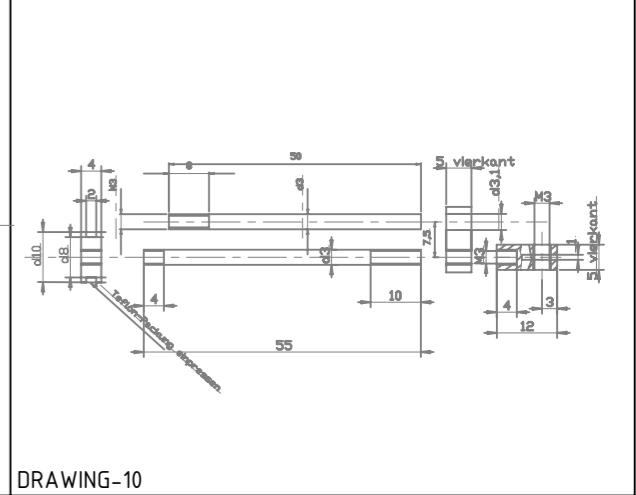
DRAWING-07



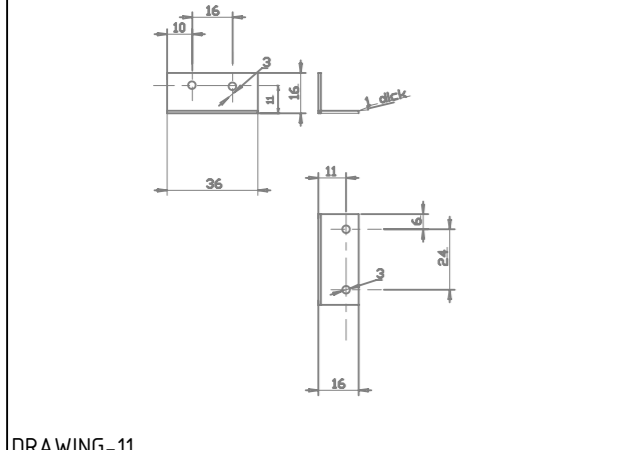
DRAWING-08



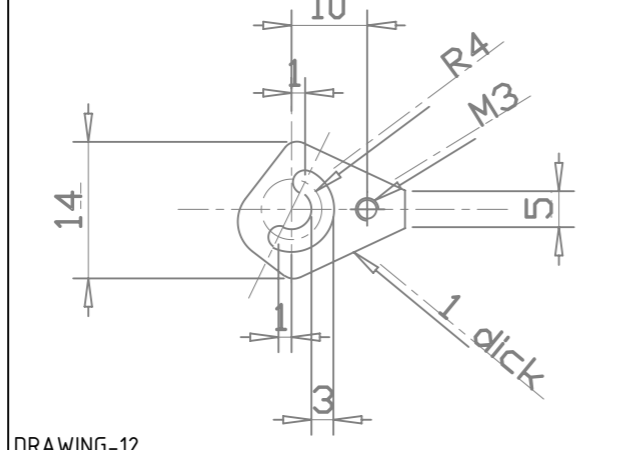
DRAWING-09



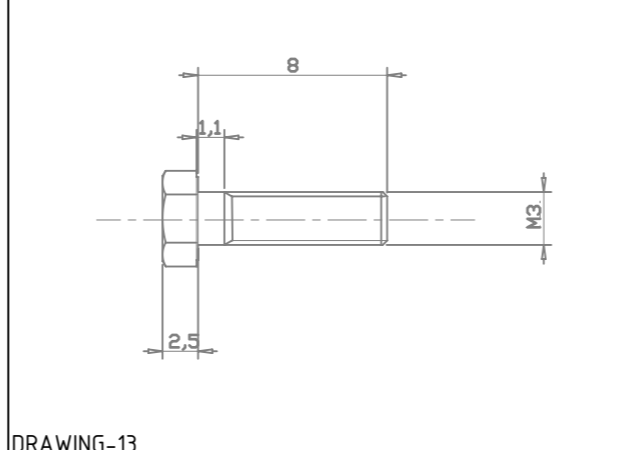
DRAWING-10



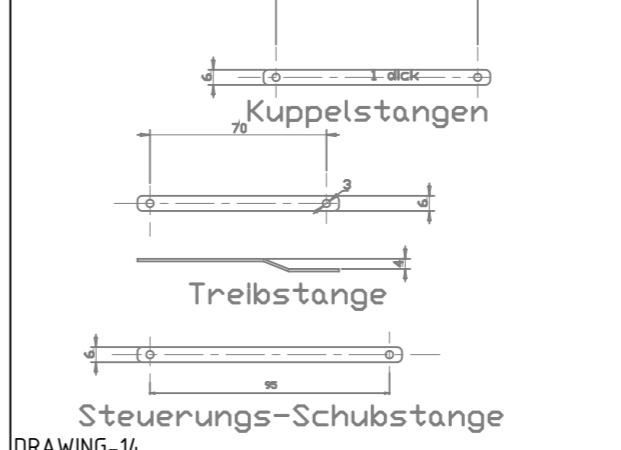
DRAWING-11



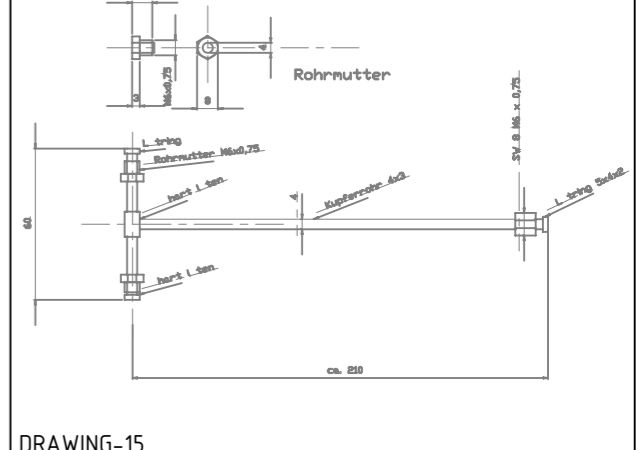
DRAWING-12



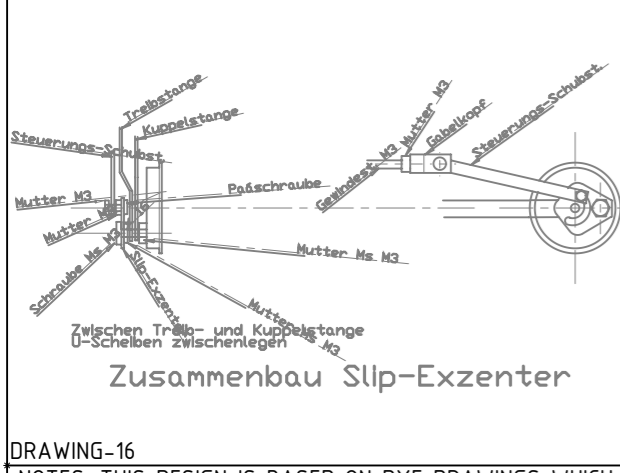
DRAWING-13



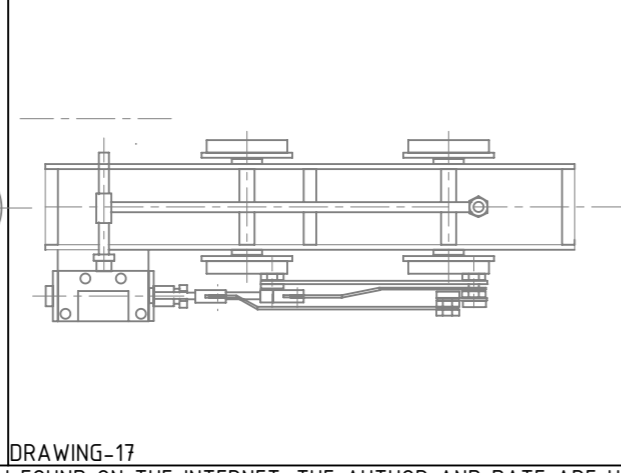
DRAWING-14



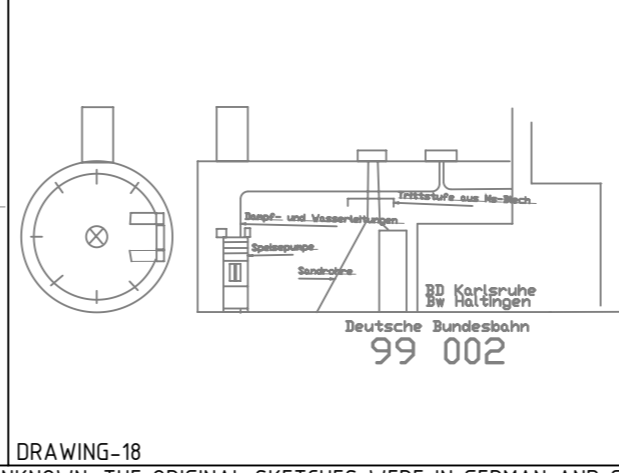
DRAWING-15



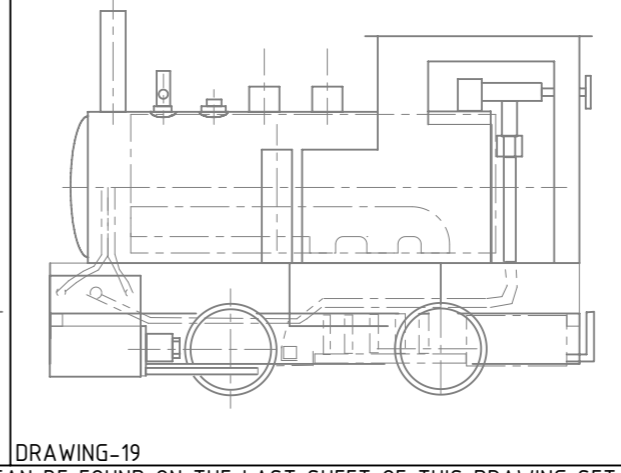
DRAWING-16



DRAWING-17



DRAWING-18



DRAWING-19

NOTES: THIS DESIGN IS BASED ON DXF DRAWINGS WHICH I FOUND ON THE INTERNET. THE AUTHOR AND DATE ARE UNKNOWN. THE ORIGINAL SKETCHES WERE IN GERMAN AND CAN BE FOUND ON THE LAST SHEET OF THIS DRAWING SET. CONVERTED TO 64mm (2.5inch) GAUGE
TITLE A SIMPLE MODEL OF A SPIRIT FIRED LOCOMOTIVE FOR 64mm (2.5inch) GAUGE
DRAWING CONTENTS ORIGINAL DRAWINGS AS FOUND ON THE INTERNET.
PROJECT No 07C-02-00
JDW DRAUGHTING SERVICES
J.A.M. DE WAAL, 12 BRIGHTWELL STREET PAPA KURA
2110, NEW ZEALAND. PHONE: 0064 09 2988815. MOB: 0211791000 E-MAIL: dewaal@xtra.co.nz.
PROJECTION
DATE JUNE 2019
SHEET: 06 OF 06
MODEL SCALE: 1:1
DWG SCALE: 1:1 @A3 OR AS SHOWN
Copyright © J.A.M. DE WAAL PAPA KURA NZ
A3 No: 07C-02-00-SHT06
DRAWINGS ARE FOR PERSONAL USE ONLY NOT FOR COMMERCIAL PURPOSES