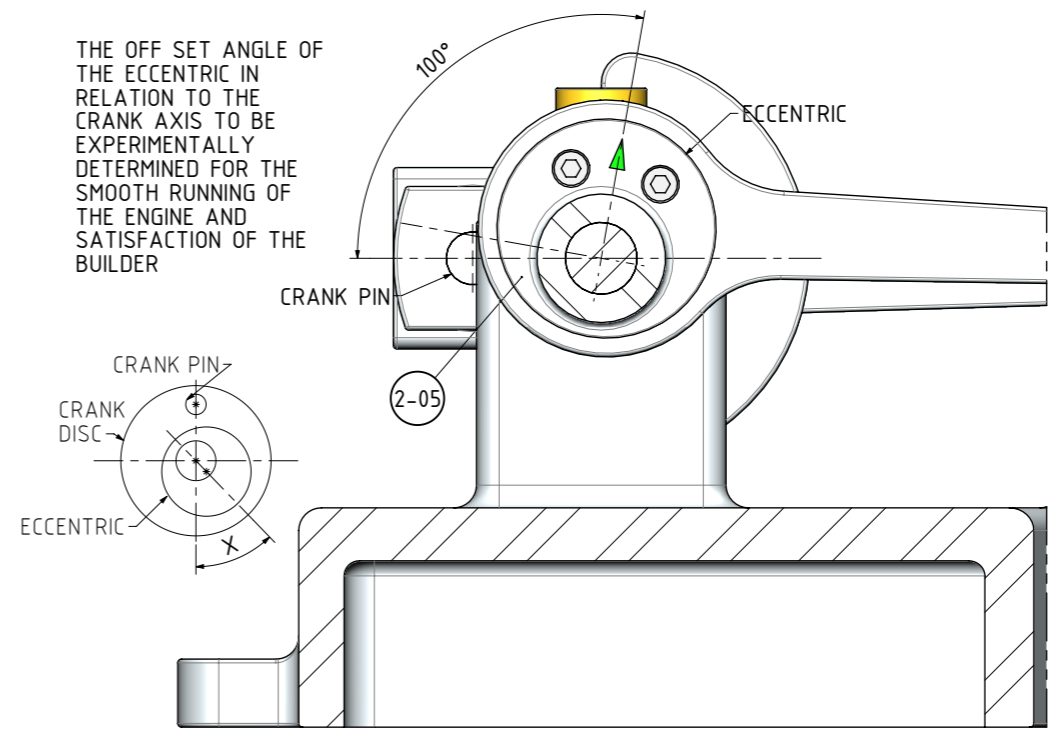


THE OFF SET ANGLE OF THE ECCENTRIC IN RELATION TO THE CRANK AXIS TO BE EXPERIMENTALLY DETERMINED FOR THE SMOOTH RUNNING OF THE ENGINE AND SATISFACTION OF THE BUILDER



NOTES: THE ORIGINAL DRAWING WAS GIVEN TO ME. NO TITLE, AUTHOR(S) OR DATE WAS PRINTED ON THE ORIGINAL DRAWING. THE ONLY INFORMATION: "TINY POWER 10-SERIES STEAM ENGINES". THE ENGINE SHOWN ON THESE DRAWINGS IS 1.5 TIMES LARGER THAN THE ORIGINAL

TITLE  
**1 CYLINDER HORIZONTAL, NON REVERSABLE, STEAM ENGINE. (BORE=30mmxSTROKE=34mm)**

DRAWING CONTENTS  
**PARTS AND ASSEMBLIES**

PROJECT No 09B-43-00  
 JDW DRAUGHTING SERVICES  
 J.A.M. DE WAAL, 12 BRIGHTWELL STREET PAPA KURA  
 2110, NEW ZEALAND. PHONE: 0064 09 2988815. MOB: 0211791000 E-MAIL: dewaal@xtra.co.nz.

PROJECTION  
**JDWDS**  
 DATE AUGUST 2024  
 SHEET: 03 OF 03

MODEL SCALE: 1:1  
 DWG SCALE: 1:1 @A3 OR AS SHOWN  
 Copyright © J.A.M. DE WAAL PAPA KURA NZ  
**A3** No:09B-43-00-SHT-03

DRAWINGS ARE FOR PERSONAL USE ONLY NOT FOR COMMERCIAL PURPOSES