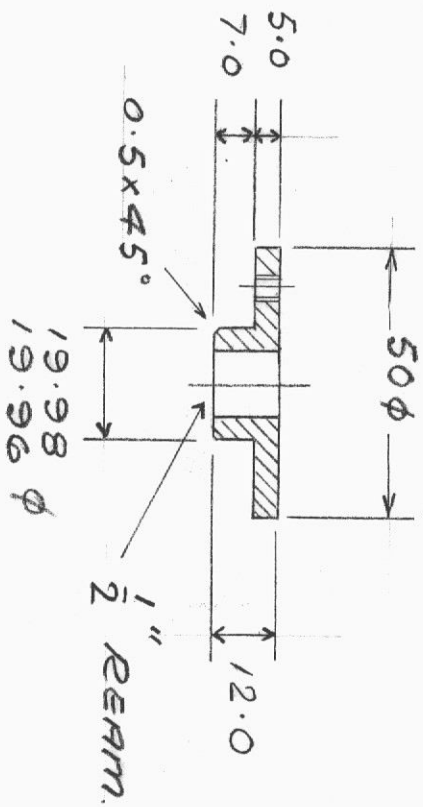


3-HOLES 4M EQUALLY
SPACED ON 36 PCD



BEARING DREG 10

1-0 E F

BRASS

RAR 12 JULY 02