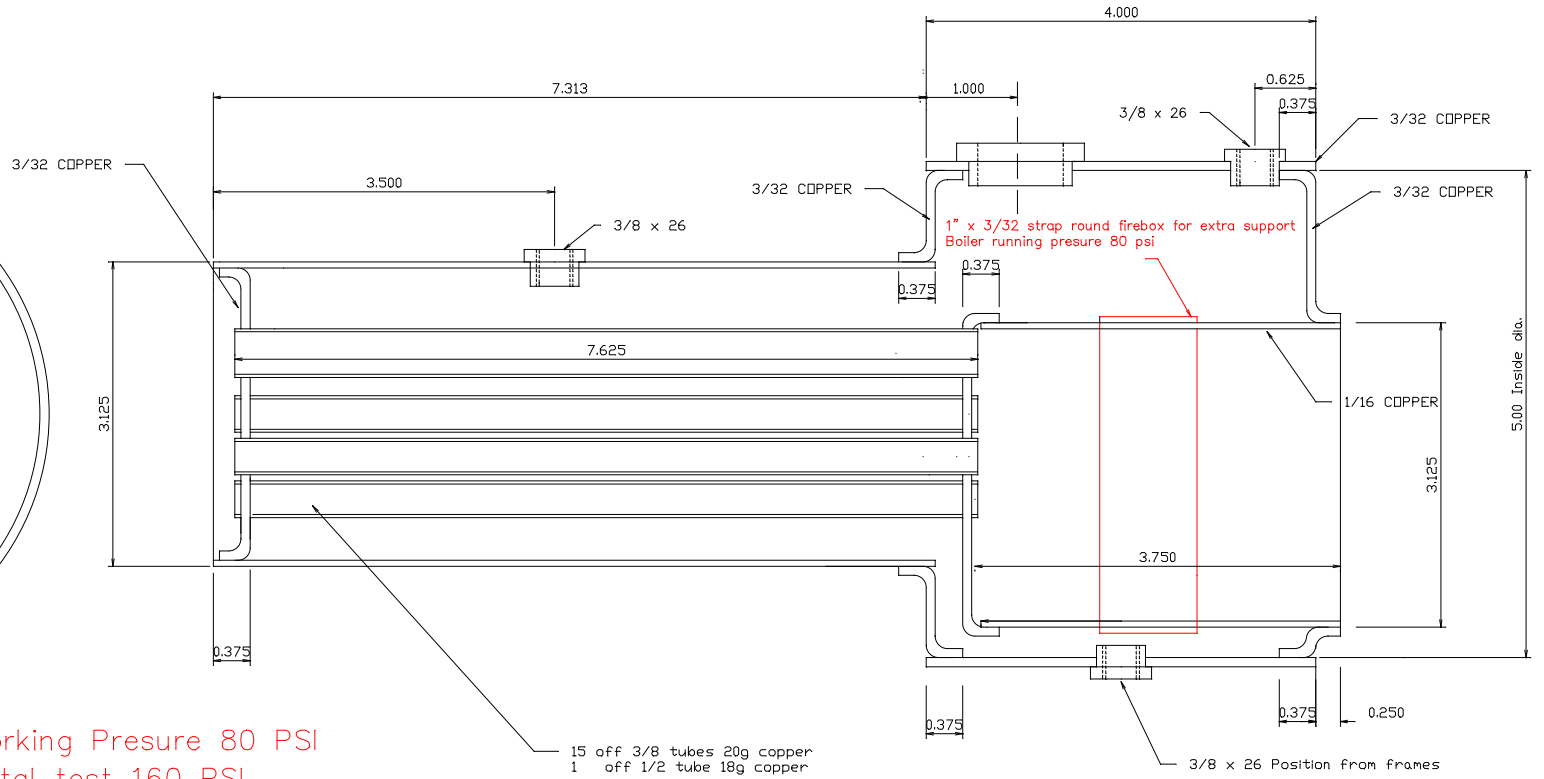
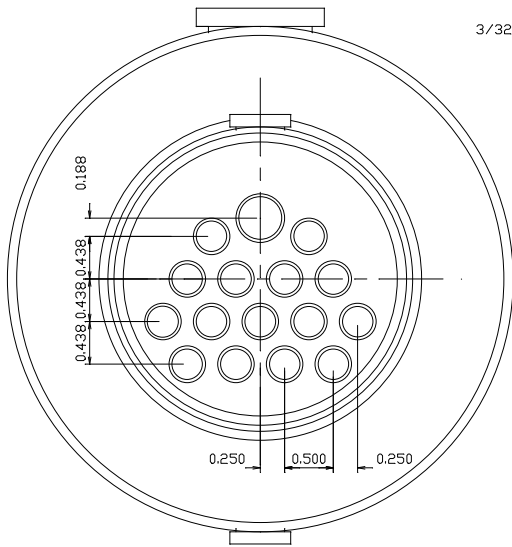


# BOILER DETAILS



Working Pressure 80 PSI  
Initial test 160 PSI  
Retest 120 PSI

15 off 3/8 tubes 20g copper  
1 off 1/2 tube 18g copper

3/8 x 26 Position from frames