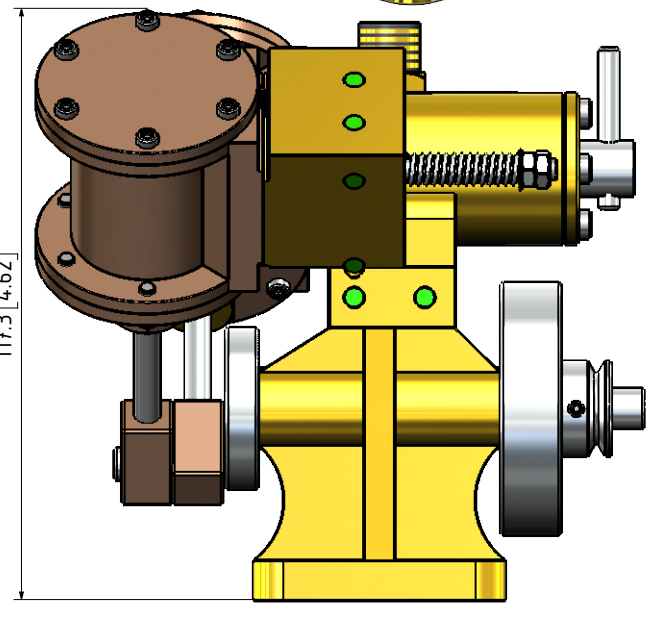
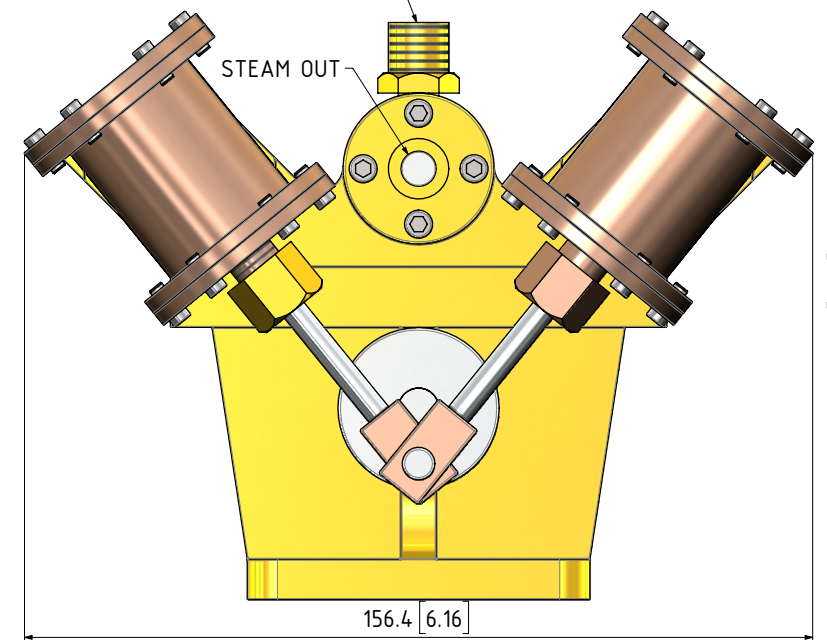
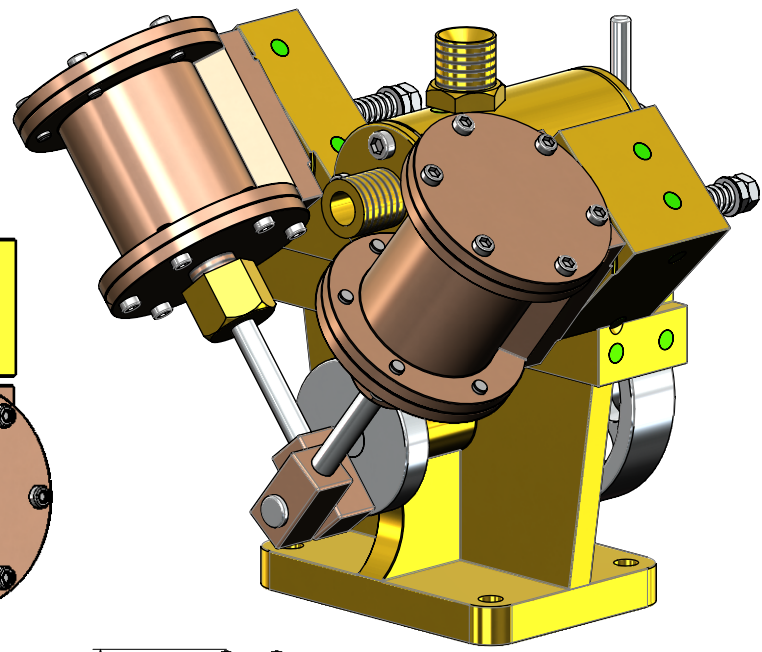
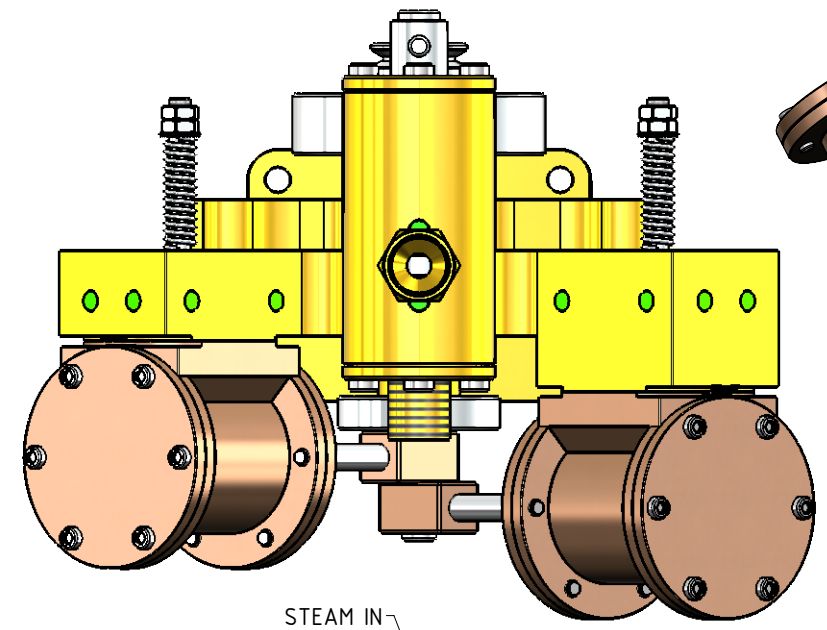
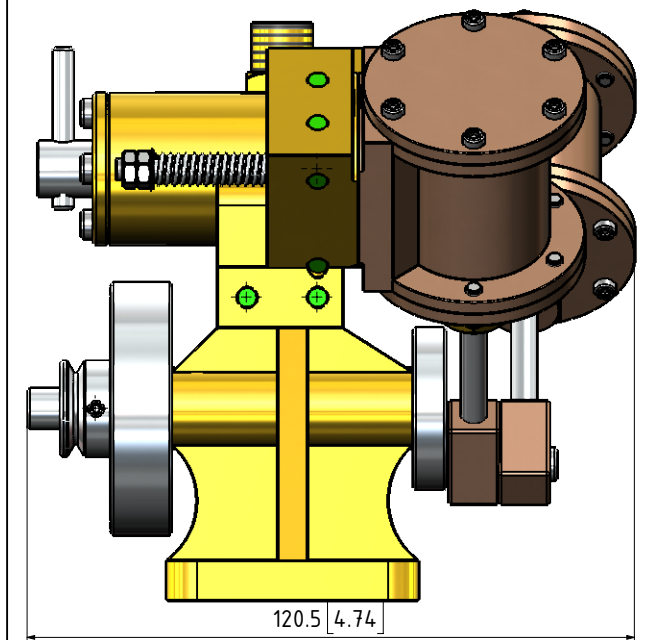


QTY	PART NUMBER
1	09A-36-00-1-01-ENGINE FRAME
20	09A-36-00-1-02-ROUND 4x5mm PLUG
1	09A-36-00-2-01-CRANK SHAFT+FLYWHEEL
1	09A-36-00-2-02-CYLINDER
1	09A-36-00-2-02-CYLINDER
2	09A-36-00-2-03-PISTON+CROSSHEAD
2	09A-36-00-2-04-COMPRESSION SPRING
1	09A-36-00-2-05-CONTROL VALVE
2	09A-36-00-M3x6 A-K GRUB SCREW
24	09A-36-00-M3x7 A-K CYL HEAD SCREW
4	09A-36-00-M4 NUT
2	09A-36-00-M4 WASHER
8	09A-36-00-M4x12 A-K CYL HEAD SCREW

ADDITIONAL NOTES ABOUT THESE DRAWINGS:
 1) MATERIALS
 MATERIALS HAVE BEEN SPECIFIED ON THESE DRAWINGS. HOWEVER THE BUILDER CAN CHOOSE ITS OWN PREFERRED MATERIAL FOR THE PARTS/COMPONENTS.
 2) FASTENERS
 FASTENERS SUCH AS BOLTS, SCREWS, RIVETS, NUTS AND WASHERS HAVE BEEN SHOWN ON THESE DRAWINGS. HOWEVER THE BUILDER CAN CHOOSE ITS OWN PREFERRED TYPE OF FASTENERS.

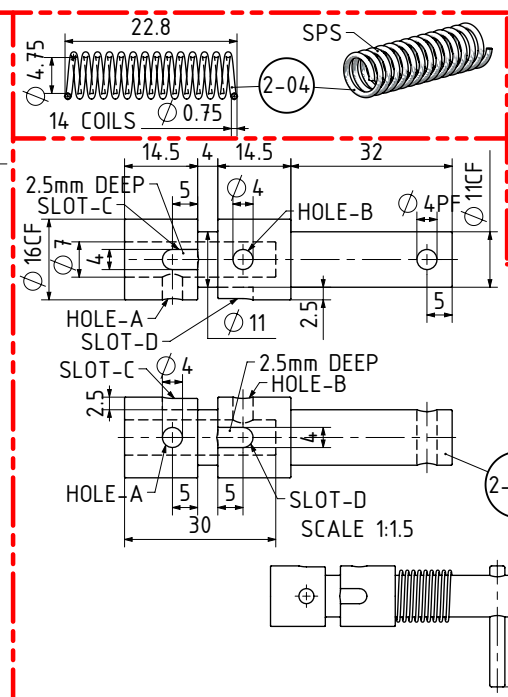
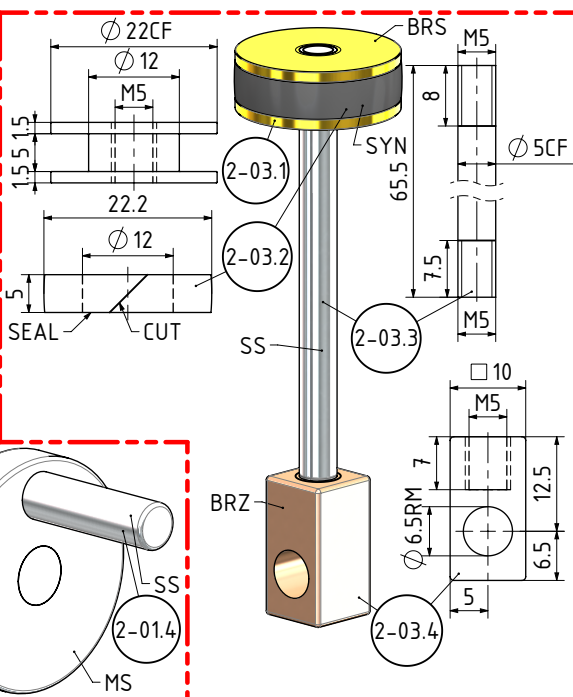
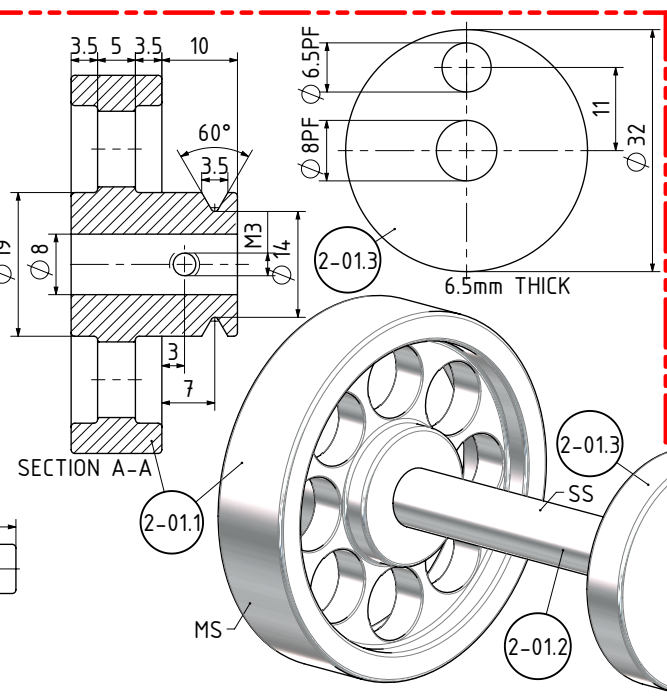
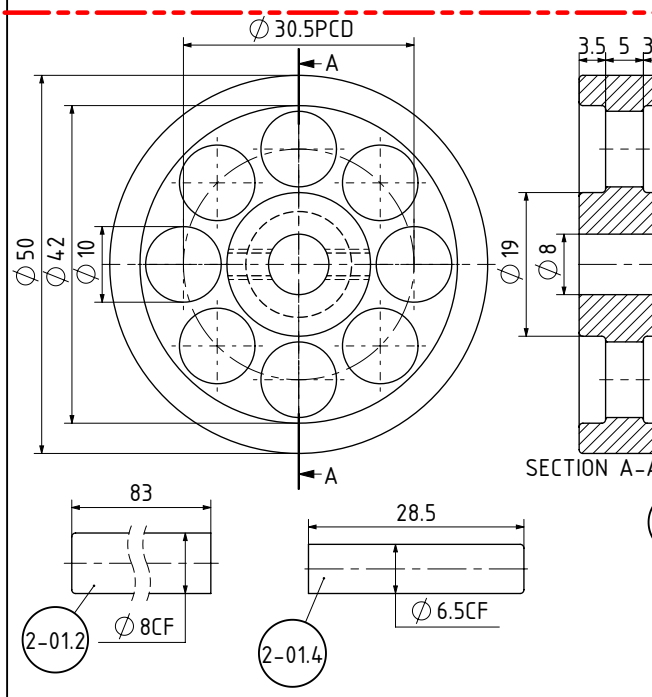
DUE TO THE LACK OF INFORMATION ON THE ORIGINAL DRAWING(S), SUCH AS VIEWS, DIMENSIONS, SECTIONS ETC AND/OR CLARITY OF COMPONENTS, OMITTED PARTS/COMPONENTS, SOME OF THE COMPONENTS MIGHT NOT BE AS CONSTRUCTED ORIGINALLY OR AS THE ORIGINAL DESIGNER INTENDED

- GENERAL NOTES:
 0. ALL DRAWINGS ARE IN METRIC MEASUREMENTS
 1. ALL ENGINEERING PRACTICES SHALL BE APPLIED WITH REGARDS TO HOLE AND SHAFT TOLERANCES.
 2. WHERE SCREWS OR BOLTS ARE USED THE CLEARANCE HOLES SHALL BE APPROXIMATELY 5% TO 8% LARGER THAN THE MATCHING TAPPED HOLE.
 3. PREFERABLY ALL TAPPED HOLES AND MATCHING SCREWS AND/OR BOLTS TO BE METRIC FINE (MF)
 4. MATERIALS SPECIFIED ON THE DRAWINGS ARE INDICATIVE ONLY. THE BUILDER CAN MAKE HIS/HER OWN MATERIAL CHOICE.
 5. ALL CONNECTIONS/JOINTS WHICH HAVE STEAM PRESSURE APPLIED TO IT SHALL BE SILVER/HARD SOLDERED.
 6. COMPRESSION SPRINGS ARE DRAWN IN COMPRESSED STATE (CP), UNCOMPRESSED STATE IS APPROX 40% TO 60% LONGER THEN COMPRESSED STATE.
 7. WHERE PREFERRED SCREW OR RIVETED CONNECTIONS CAN BE OMITTED AND PARTS CAN BE BONDED TOGETHER BY USING EITHER HIGH STRENGTH GLUE, EPOXY RESIN, OR SOLDER.
 8. PARTS WHICH ARE DIRECTLY EXPOSED TO STEAM AND/OR WATER SHOULD BE CONSTRUCTED USING NON-FERROUS OR NON CORROSIVE MATERIAL SUCH AS BRASS, BRONZE, GUNMETAL, STAINLESS STEEL, COPPER OR MONEL.
 9. THE ORDER IN WHICH THE PARTS/COMPONENTS ARE MANUFACTURED AND THE MODEL IS ASSEMBLED IS ENTIRELY LEFT TO THE BUILDER/MODEL MAKER.
 10. A COLOUR SCHEME FOR THIS PROJECT IS ENTIRELY LEFT UP TO THE MODEL MAKER.
 11. THE MANNER IN WHICH THE PARTS/COMPONENTS ARE MANUFACTURED IS ENTIRELY LEFT UP TO THE BUILDER.
 12. USE LOCTITE, ON SCREW OR PRESS FIT CONNECTIONS OR SURFACES, WERE DEEMED NECESSARY TO PREVENT PARTS FROM LOOSENING.
 13. WASHERS AND/OR SPRING WASHERS SHALL BE USED WHERE DEEMED NECESSARY.
 14. REMOVE ALL SHARP EDGES
 XX. ERRORS AND/OR OMISSIONS MAY OCCUR IN THE DRAWINGS, DO NOT HESITATE TO CONTACT ME SO THAT THE ERRORS/OMISSIONS CAN BE RECTIFIED.



- MATERIAL ABBREVIATIONS:
 ALU = ALUMINIUM
 HALU= HARD ALUMINIUM
 BRS = BRASS
 BRZ = BRONZE OR GUNMETAL (BRZ/GM)
 CI = CAST IRON
 CU = COPPER
 GRA = GRAPHITE
 MS = MILD STEEL/BRIGHT MILD STEEL
 SS = SILVER STEEL OR STAINLESS STEEL
 SPS = SPRING STEEL
 PEEK= POLYETHER ETHER KETONE
 SYN = SYNTHETIC MATERIAL SUCH AS VETON, NYLON, TEFLON OR RUBBER
 IN GENERAL SYNTHETIC MATERIALS SHOULD BE ABLE TO WITHSTAND THE HEAT AND PRESSURE(S) APPLIED TO THEM.
 nnn/nnn MEANS THAT EITHER MATERIAL CAN BE USED

- OTHER ABBREVIATIONS
 AS = AS SHOWN
 DP = DEEP
 DAA= DRILL AFTER ASSEMBLY
 D&TAA= DRILL AND TAP AFTER ASSEMBLY
 CF = CLOSE FIT (SIZE FOR SIZE)
 PF = PRESS FIT
 PFAA= PRESS FIT AFTER ASSEMBLY
 PCD = PITCH CIRCLE DIAMETER
 RM = REAM
 HEX = HEXACON, 6SIDED
 CP = COMPRESSED
 KNL = KNURLED
 CSK = COUNTERSINK
 PL = PLACES
 DWL= DOWEL
 SPF= SPOTFACE
 (T)HESOP=(TAPPED)HOLES EQUALLY SPACED ON PCD
 (T)HESOC=(TAPPED)HOLES EQUALLY SPACED ON CIRCUMFERENCE
 OD = OUTSIDE DIAMETER
 ID = INSIDE DIAMETER
 MAX/MIN = CRITICAL DIMENSION
 [SA-xxx]= SUB ASSEMBLY-xxx



NOTES: THE ORIGINAL DRAWINGS WERE GIVEN TO ME. TITLE ON THE ORIGINAL DRAWING WAS: "2 CYLINDER, 90°V, OSCILLATING ENGINE". DR No 2CO, DATED 1-5-65. THE ENGINE SHOWN ON THESE DRAWINGS IS TWICE THE ORIGINAL AND CONVERTED FROM IMPERIAL TO METRIC.

TITLE
A "V"-SHAPE OSCILLATING STEAM ENGINE, REVERSABLE, (BORE 22mm x 22mm STROKE)

DRAWING CONTENTS
GENERAL ARRANGEMENT, NOTES, B.O.M. PARTS AND ASSEMBLIES

PROJECT No 09A-36-00
 JDW DRAUGHTING SERVICES
 J.A.M. DE WAAL, 12 BRIGHTWELL STREET PAKAPURA
 2110, NEW ZEALAND. PHONE: 0064 09 2988815. MOB: 0211791000 E-MAIL: dewaal@xtra.co.nz.

PROJECTION
 JDWDS
 DATE
 JULY 2024
 SHEET: 01 OF 02

MODEL SCALE: 1:1
 DWG SCALE: 1:1 @A3 OR AS SHOWN
 Copyright © J.A.M. DE WAAL PAKAPURA NZ
 A3 No:09A-36-00-SHT-01