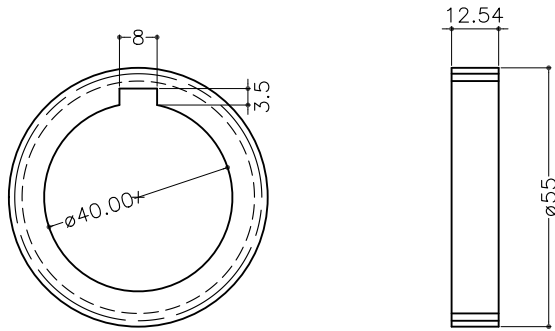
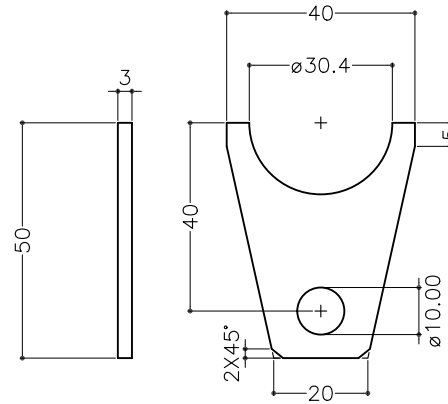


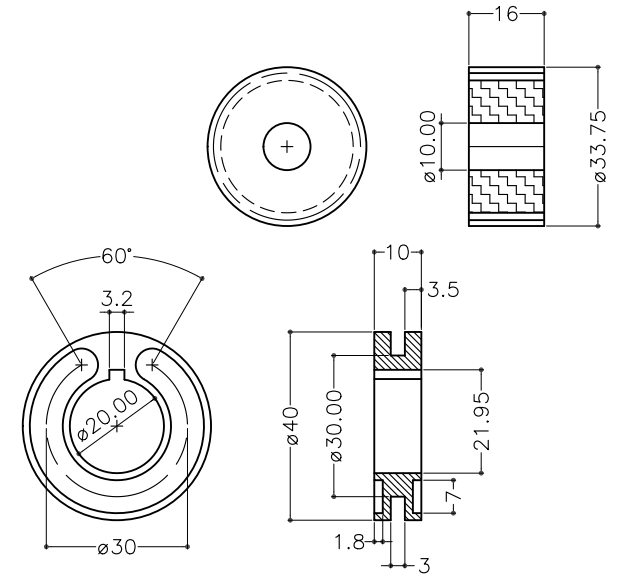
42 TEETH
1.25 MOD
MILD STEEL



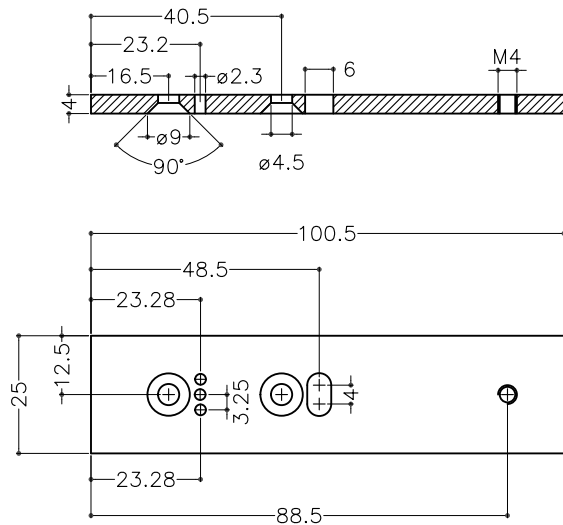
GAGE PLATE



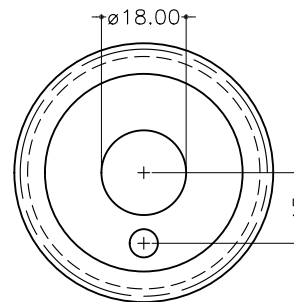
25 TEETH
1.25 MOD
TUFNOL, DELRIN



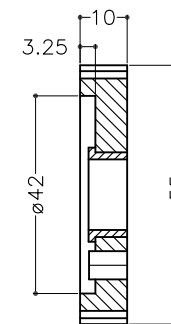
GAGE PLATE, MILD STEEL



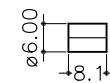
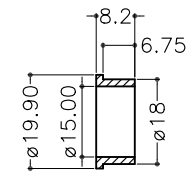
42 TEETH
1.25 MOD
MILD STEEL



TOOL STEEL



PHOS BRONZE



MAKE FROM LARGER
CAPSCREW SHANK