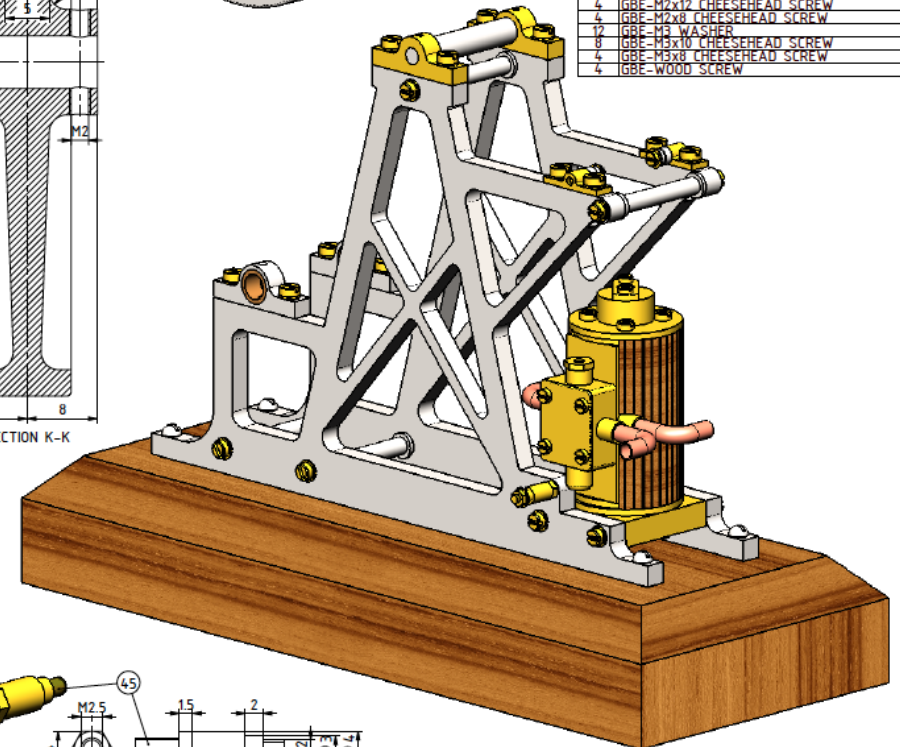
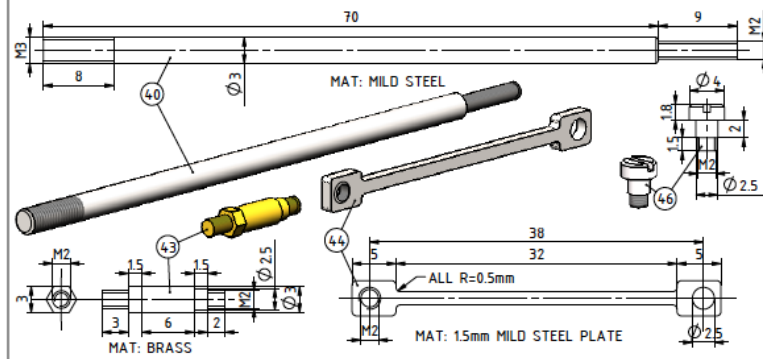


MATERIAL:PAINTED MILD STEEL OR ALUMINIUM



ASSEMBLY 100

QTY.	ASSEMBLY 100
1	GBE-00-WOODEN BASE
2	GBE-01-MAIN FRAME
4	GBE-02-MAIN FRAME SPREADER BAR
1	GBE-03-CYLINDER BOTTOM LID RESTING BLOCK
1	GBE-04-CYLINDER BOTTOM LID
1	GBE-05-CYLINDER BLOCK
1	GBE-06-CYLINDER TOP LID
1	GBE-07-CYLINDER ROD PACKING GLAND
1	GBE-08-STEAM CHEST
1	GBE-09-STEAM CHEST COVER
1	GBE-10-VALVE ROD PACKING GLAND
2	GBE-16-MAIN PIVOT SHAFT SUPPORT
2	GBE-11-MAIN CRANK BEARING
2	GBE-18-GROUNDING LINK MOUNTING BLOCK
1	GBE-19-CYLINDER MANTLE
3	GBE-20-IN-OUTLET PIPE
1	GBE-21-MAIN PIVOT SHAFT
2	GBE-22-MAIN PIVOT SHAFT LOCKING PIN
2	GBE-25-GROUNDING LINK SPACER
1	GBE-45-BELLCRANK POST
1	GBE-M2 NUT
3	GBE-M2 WASHER
16	GBE-M2.5 WASHER
16	GBE-M2.5x12 CHEESEHEAD SCREW
4	GBE-M2.5x8 CHEESEHEAD SCREW
4	GBE-M2x12 CHEESEHEAD SCREW
4	GBE-M2x8 CHEESEHEAD SCREW
12	GBE-M3 WASHER
8	GBE-M3x10 CHEESEHEAD SCREW
4	GBE-M3x8 CHEESEHEAD SCREW
4	GBE-WOOD SCREW

EEN CILINDER BALANS STOOM MACHINE ONTWERPEN DOOR GERRY DYKSTRA ONDERDELEN & SAMENSTELLINGEN

FOUND THIS PROJECT ON THE FOLLOWING WEB SITE: <http://www.john-tom.com/html/SteamPlans2.html>

TITLE
**SINGLE CYLINDER BALANCE BEAM STEAM ENGINE DSGINED BY
 GERRY DYKSTRA COMPONENTS/PARTS & ASSEMBLIES**

JDW DRAUGHTING SERVICES
 12 BRIGHTWELL STREET
 PAKAPURA NEW ZEALAND
 TEL/FAX 0064-09-2988815
 E-MAIL:dewaal@xtra.co.nz

DRAWN BY
J.A.M. DE WAAL
 DATE
JULY 2009

PROJECTION

 DRAWING NUMBER
GBE 06
 SCALE
2:1@A3 or AS SHOWN
 SHEET OF SHEET
06 of 08
 REV.
A

IF NOT STATED ALL CHAMFERS AND FILLETS 0.25mm

DO NOT SCALE OF DRAWING

REMOVE ALL BURS AND SHARP EDGES