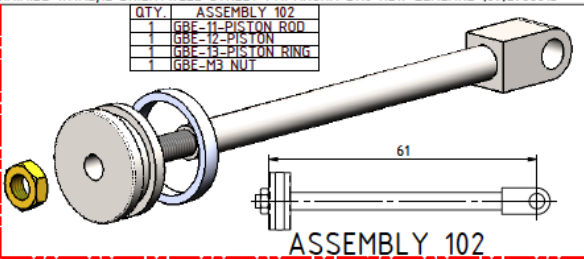
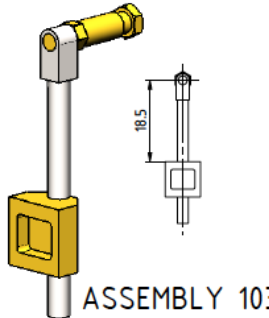


QTY.	ASSEMBLY 101
1	GBE-03-CYLINDER BOTTOM LID RESTING BLOCK
1	GBE-04-CYLINDER BOTTOM LID
1	GBE-05-CYLINDER BLOCK
1	GBE-06-CYLINDER TOP LID
1	GBE-07-CYLINDER ROD PACKING GLAND
1	GBE-08-STEAM CHEST
1	GBE-09-STEAM CHEST COVER
1	GBE-10-VALVE ROD PACKING GLAND
4	GBE-M2.5 WASHER
4	GBE-M2.5x12 CHEESEHEAD SCREW
4	GBE-M2.5x8 CHEESEHEAD SCREW
4	GBE-M2x12 CHEESEHEAD SCREW
2	GBE-M2x8 CHEESEHEAD SCREW



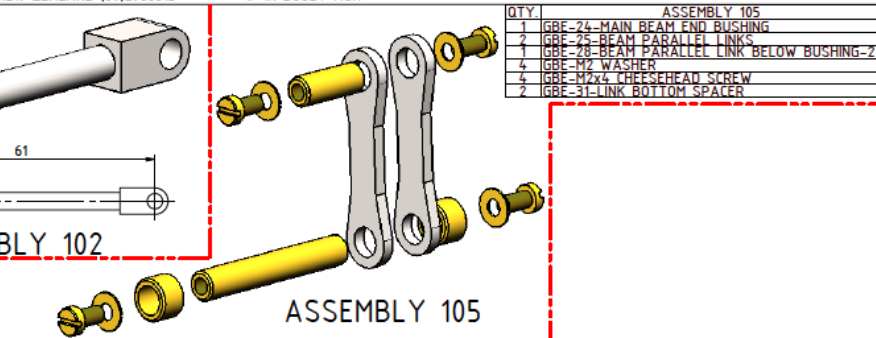
QTY.	ASSEMBLY 102
1	GBE-11-PISTON ROD
1	GBE-12-PISTON
1	GBE-13-PISTON RING
1	GBE-M3 NUT

ASSEMBLY 102



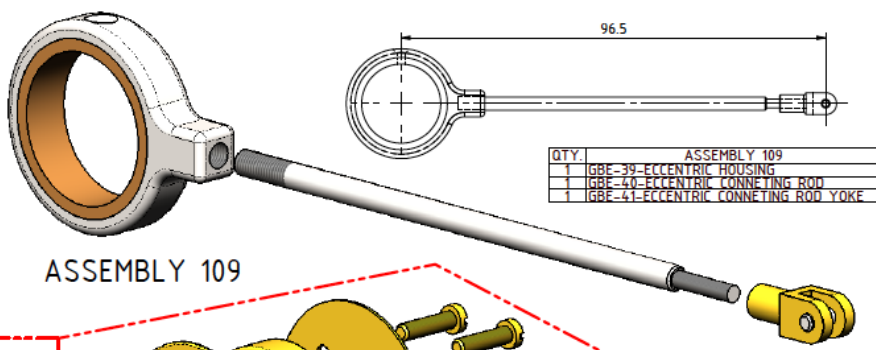
QTY.	ASSEMBLY 103
1	GBE-15-VALVE
1	GBE-14-VALVE ROD
1	GBE-43-VALVE STEM OFFSET POST
1	GBE-M2 NUT

ASSEMBLY 103



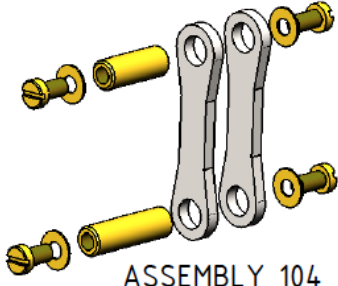
QTY.	ASSEMBLY 105
1	GBE-24-MAIN BEAM END BUSHING
2	GBE-25-BEAM PARALLEL LINKS
1	GBE-26-BEAM PARALLEL LINK BELOW BUSHING-2
4	GBE-M2 WASHER
4	GBE-M2x4 CHEESEHEAD SCREW
2	GBE-31-LINK BOTTOM SPACER

ASSEMBLY 105



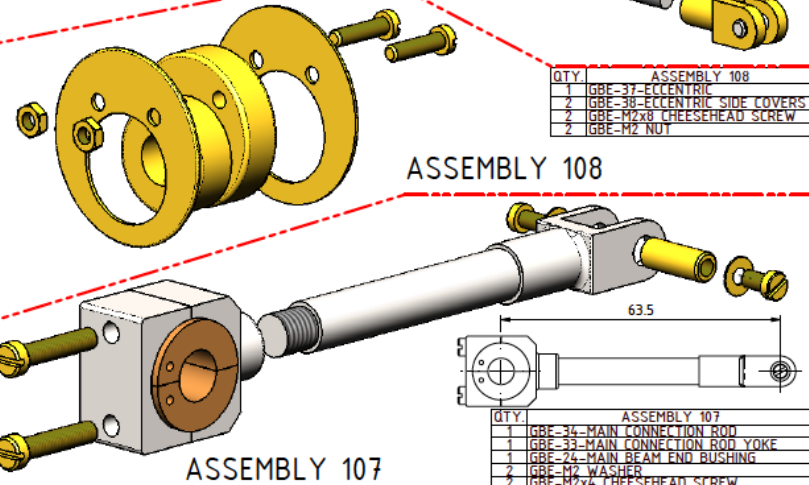
QTY.	ASSEMBLY 109
1	GBE-39-ECCENTRIC HOUSING
1	GBE-40-ECCENTRIC CONNECTING ROD
1	GBE-41-ECCENTRIC CONNECTING ROD YOKE

ASSEMBLY 109



QTY.	ASSEMBLY 104
1	GBE-24-MAIN BEAM END BUSHING
2	GBE-25-BEAM PARALLEL LINKS
1	GBE-26-BEAM PARALLEL LINK BELOW BUSHING-1
4	GBE-M2 WASHER
4	GBE-M2x4 CHEESEHEAD SCREW

ASSEMBLY 104



QTY.	ASSEMBLY 108
1	GBE-37-ECCENTRIC
2	GBE-38-ECCENTRIC SIDE COVERS
2	GBE-M2x8 CHEESEHEAD SCREW
2	GBE-M2 NUT

ASSEMBLY 108

QTY.	ASSEMBLY 107
1	GBE-34-MAIN CONNECTION ROD
1	GBE-35-MAIN CONNECTION ROD YOKE
1	GBE-24-MAIN BEAM END BUSHING
2	GBE-M2 WASHER
2	GBE-M2x4 CHEESEHEAD SCREW
1	GBE-35-CONNECTION ROD CRANK BEARING
2	GBE-M2.5x12 CHEESEHEAD SCREW

ASSEMBLY 107

EEN CYLINDER BALANS STOOM MACHINE ONTWORPEN DOOR GERRY DYKSTRA SAMENSTELLINGEN  
**SINGLE CYLINDER BALANCE BEAM STEAM ENGINE DSIGNED BY GERRY DYKSTRA ASSEMBLIES**

FOUND THIS PROJECT ON THE FOLLOWING WEB SITE: <http://www.john-tom.com/html/SteamPlans2.html>

IF NOT STATED ALL CHAMFERS AND FILLETS 0.25mm

DO NOT SCALE OF DRAWING

REMOVE ALL BURS AND SHARP EDGES

TITLE	PROJCTION	DRAWN BY	PROJECT	DRAWING NUMBER	SHEET
A3	2:1@A3 or AS SHOWN	J.A.M. DE WAAL	GBE	07	07
REV	DESCRIPTION	DATE	SCALE	SHT OF SHT	REV
A	ISSUED FOR CONSTRUCTION			07 of 08	A

JDW DRAUGHTING SERVICES  
 12 BRIGHTWELL STREET  
 PAPAURA NEW ZEALAND  
 TEL/FAX 0064-09-298815  
 E-MAIL:dewaal@xtra.co.nz

JULY 2009