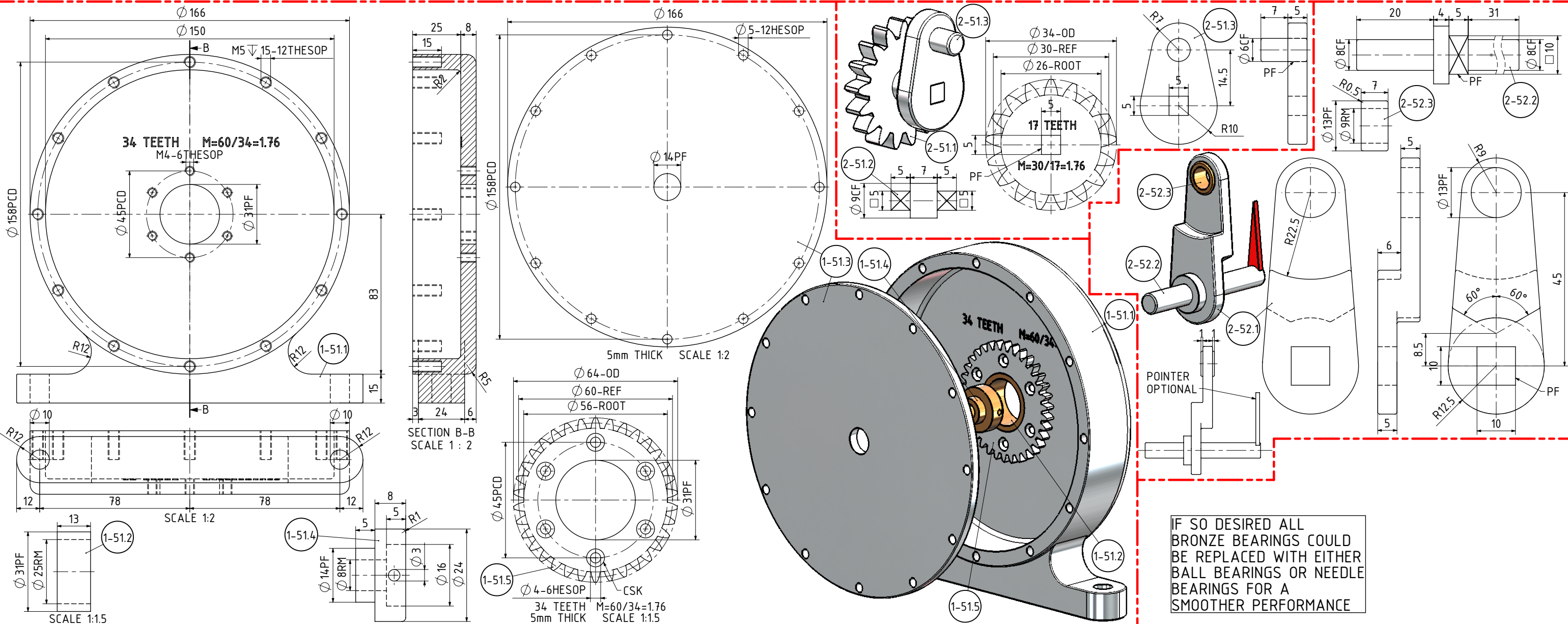


FRONT VIEW

SIDE VIEW

REAR VIEW

COVER REMOVED



IF SO DESIRED ALL BRONZE BEARINGS COULD BE REPLACED WITH EITHER BALL BEARINGS OR NEEDLE BEARINGS FOR A SMOOTHER PERFORMANCE

NOTES: THE DESIGN OF THIS TYPE OF CAT&MOUSE GEAR BOX IS BY JDW. THIS TYPE OF GEARING SYSTEM IS ALSO REFERED TO AS SCISSORS OR PURSUING

TITLE
EXPERIMENTAL CAT & MOUSE GEAR BOX
TYPE-2 (EXTERNAL PLANET GEAR)

DRAWING CONTENTS
GENERAL ARRANGEMENT, B.O.M.
PARTS AND ASSEMBLIES

PROJECT No 01-60-00
 JDW DRAUGHTING SERVICES
 J.A.M. DE WAAL, 12 BRIGHTWELL STREET PAPAOKURA
 2110, NEW ZEALAND. PHONE: 0064 09 2988815. MOB:
 0211791000 E-MAIL: dewaal@xtra.co.nz.

PROJECTION	JDWDS	MODEL SCALE: 1:1
DATE	APRIL 2024	DWG SCALE: 1:1 @A3 OR AS SHOWN
SHEET: 03 OF 04	A3	Copyright © J.A.M. DE WAAL PAPAOKURA NZ
		No: 01-60-00-SHT03

DRAWINGS ARE FOR PERSONAL USE ONLY NOT FOR COMMERCIAL PURPOSES